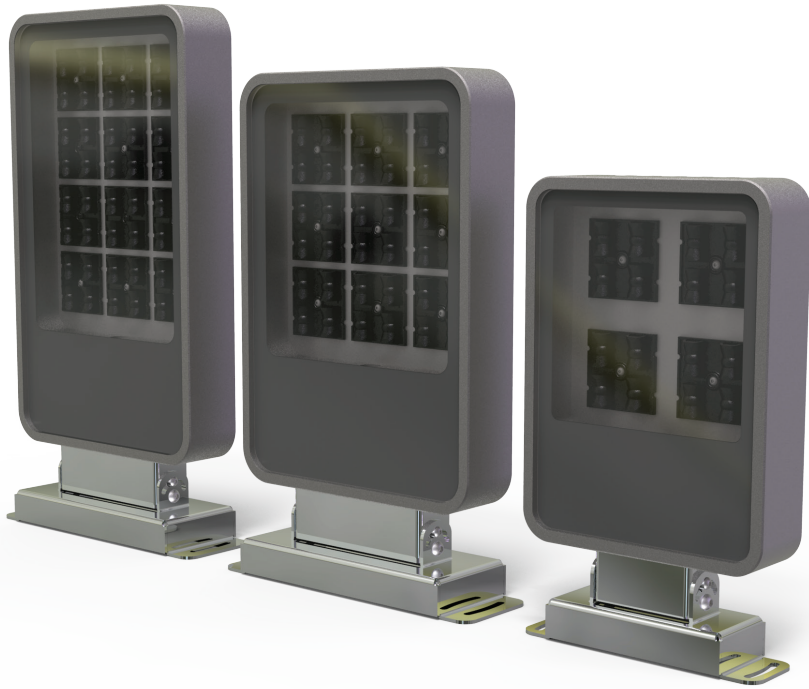


Swan- Series Architectural Floodlight



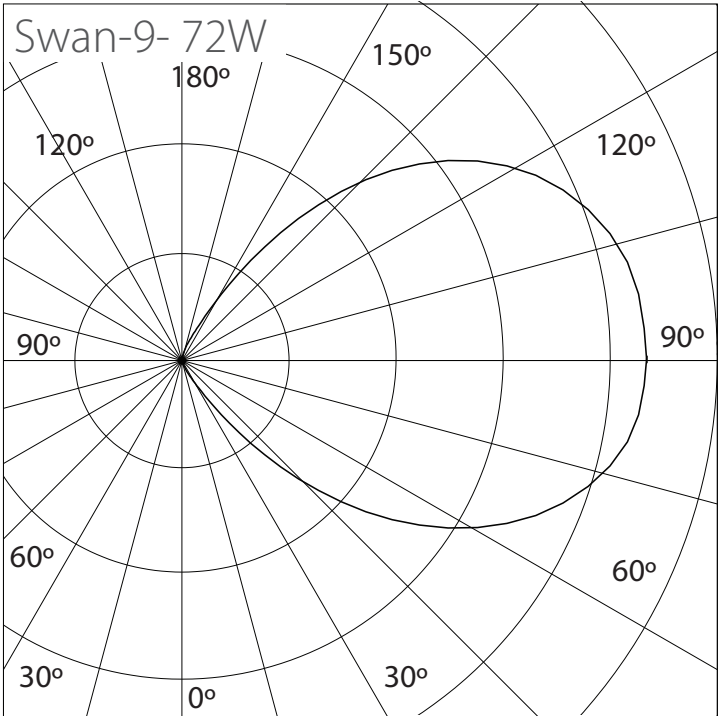
- Code Product: Swan - Series
- Dimension: 4Blocks (48x171x293mm); 9Blocks (48x211x362mm)
12Blocks (48x211x414mm)
- Input Voltage: 24-48VDC; 110-240VAC(43-60Hz)
- Power consumption: 4Blocks (32- 64W); 9Blocks (72- 120W),
12Blocks (108- 240W)
- Luminous Flux: Series
- Brand of LEDs: LED CREE
- Color: 3000K (Single White, Blue Roya), RGB, RGBW
- Beam Angle: 25°(5°, 10°, 15°, 20°, 30°, 45°, 60°, 75°, Esclip)
- Function Dimmer: Option
- Material: Aluminium
- Finishing (Color housing): Anodizing
- IP Class: 66
- Electrical Class: III for 24-48VDC; I for 100-240VAC(43-60Hz)

- LED lifetime: 50.000hrs
- Lens: Clear | Material PMMA with UV protection
Cellular
Sand
- Standards:
 - +EMC protection
 - +IEC 62031 LED modules for general lighting Safety specifications
 - +IEC 60598 Luminaires – Parts 1+2: General requirements particular requirements and tests



Pending

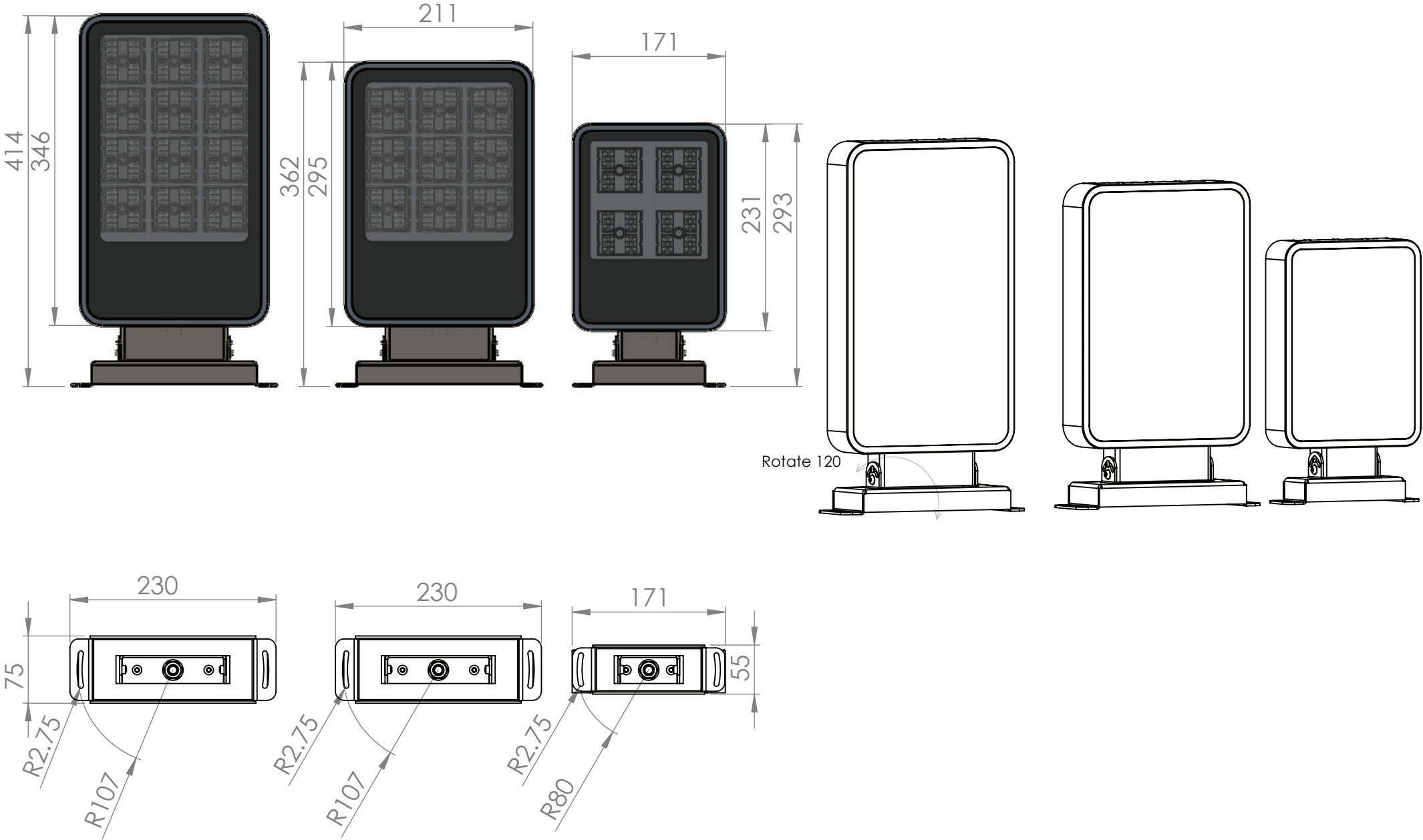
Technical tolerance: 5%

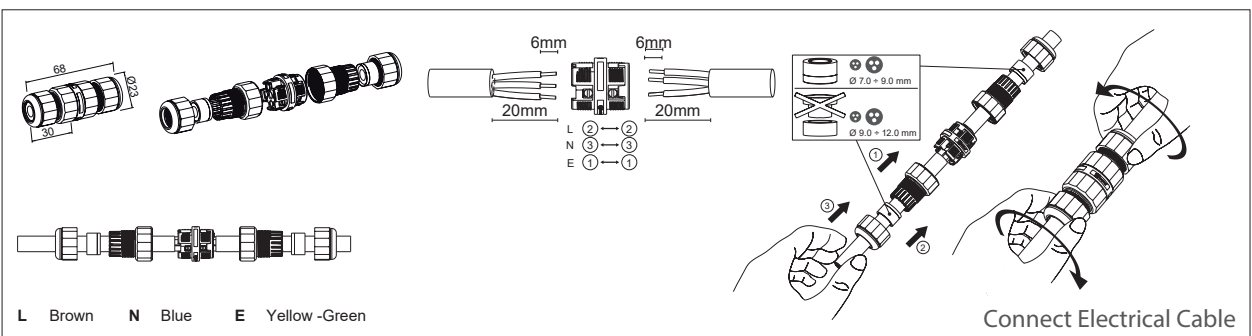
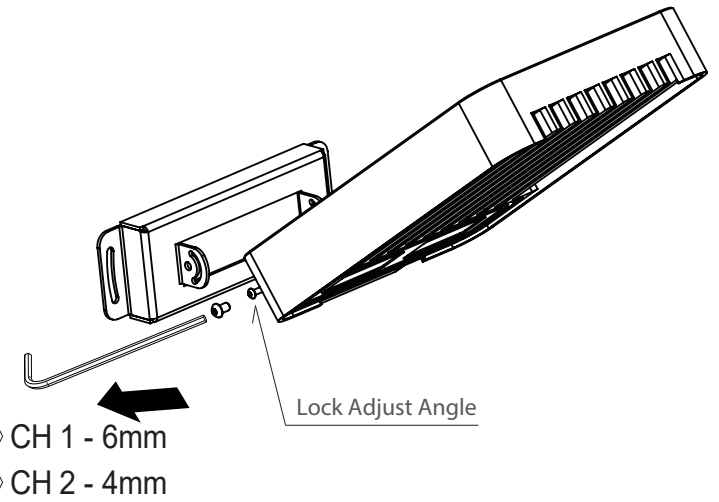
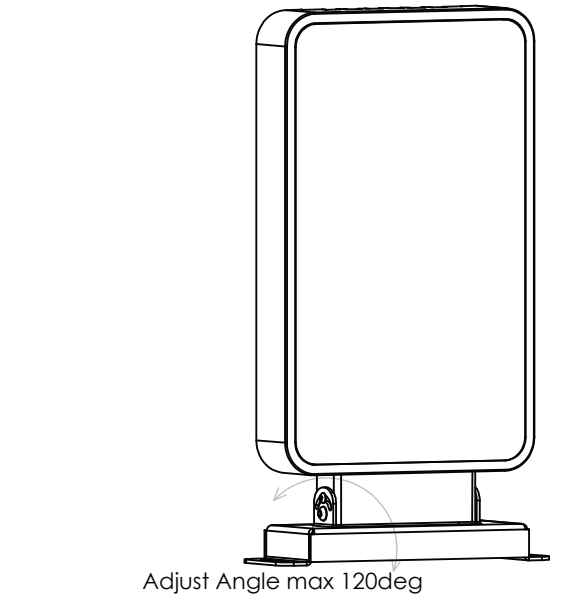
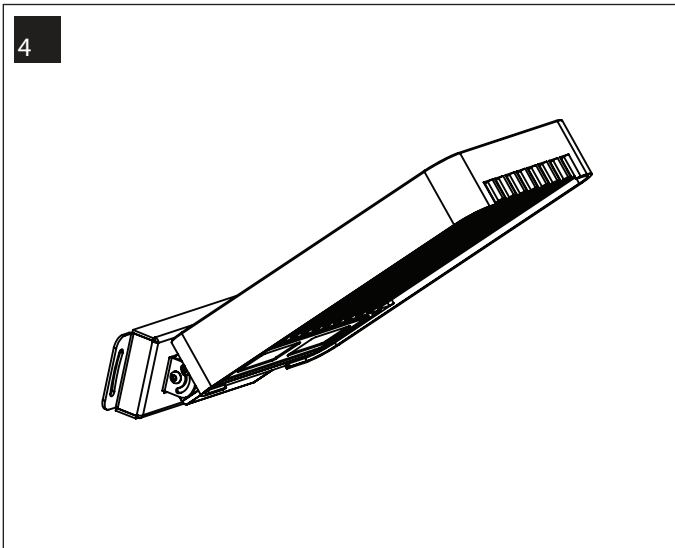
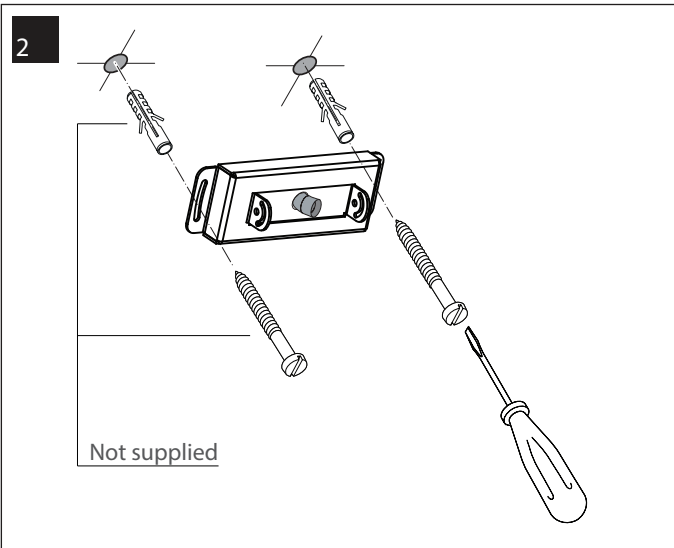
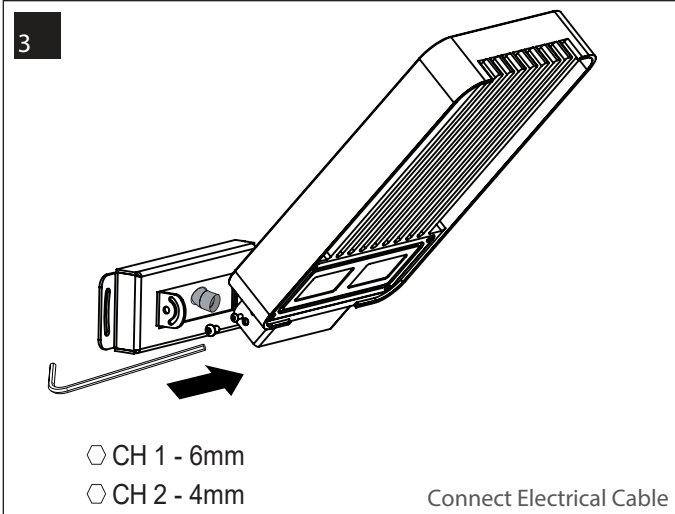
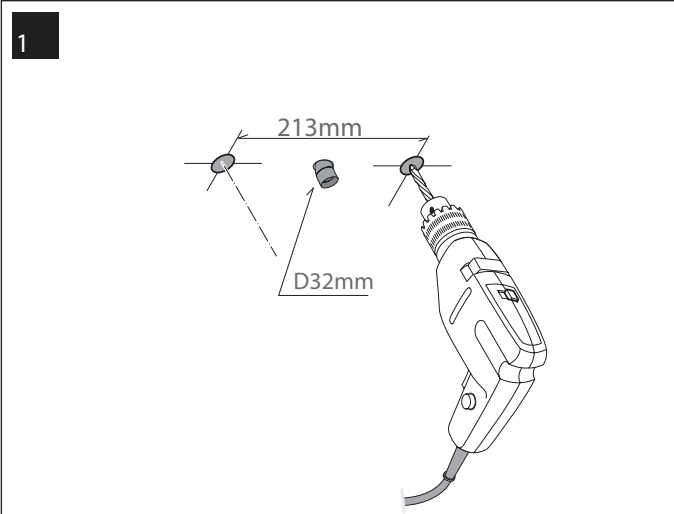


6560Lm-75deg 4000K- CRI>75

Product Description

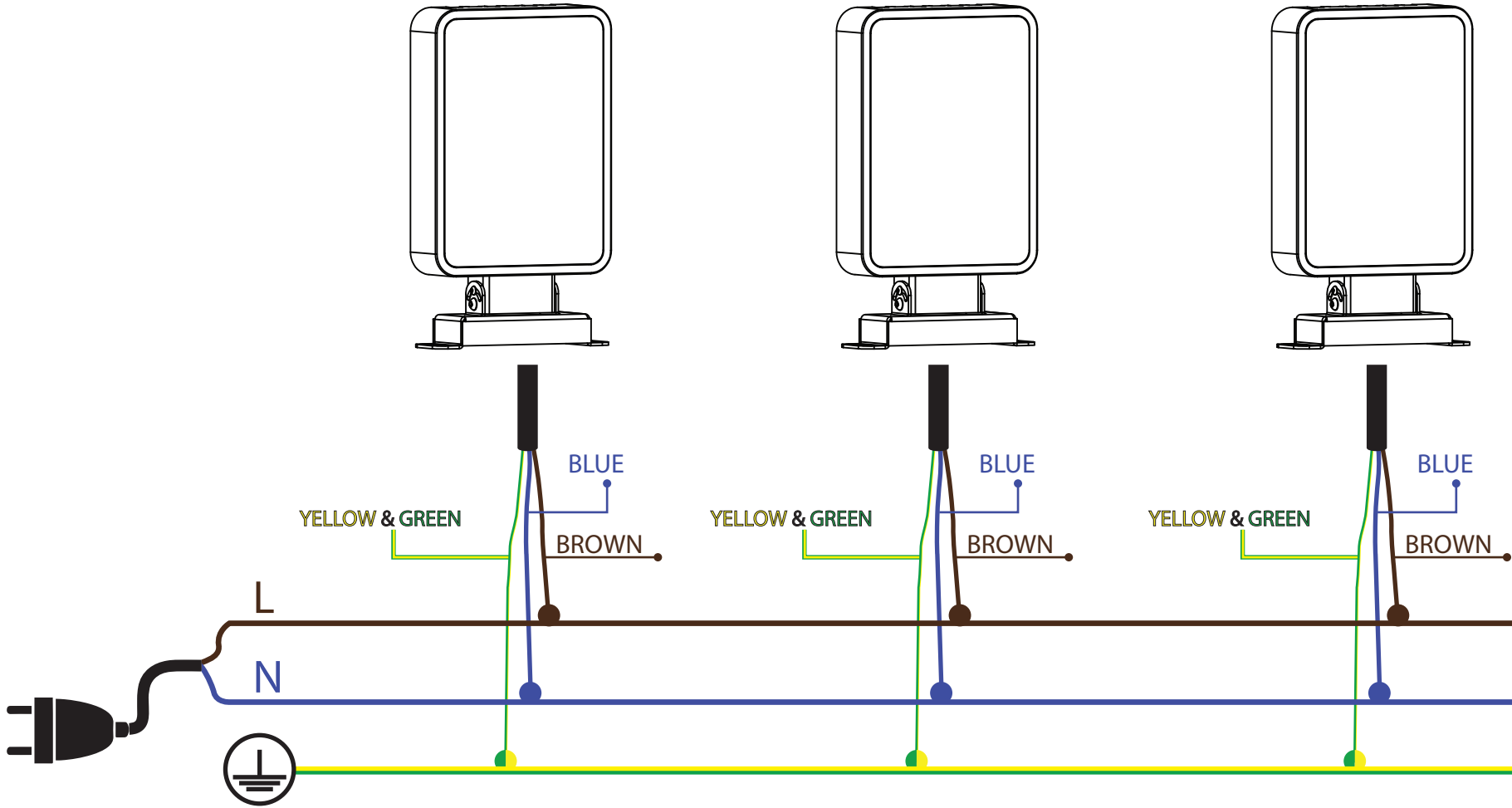
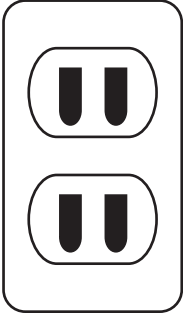
Control Gear	Fairchild Technology
LED Module	High-power LEDs on metal-core PCB. Collimating lens made of optical polymer/pmma
Anti-Glare	Option
Electrical Protection	EMC, inrush current
Electrical Class	1

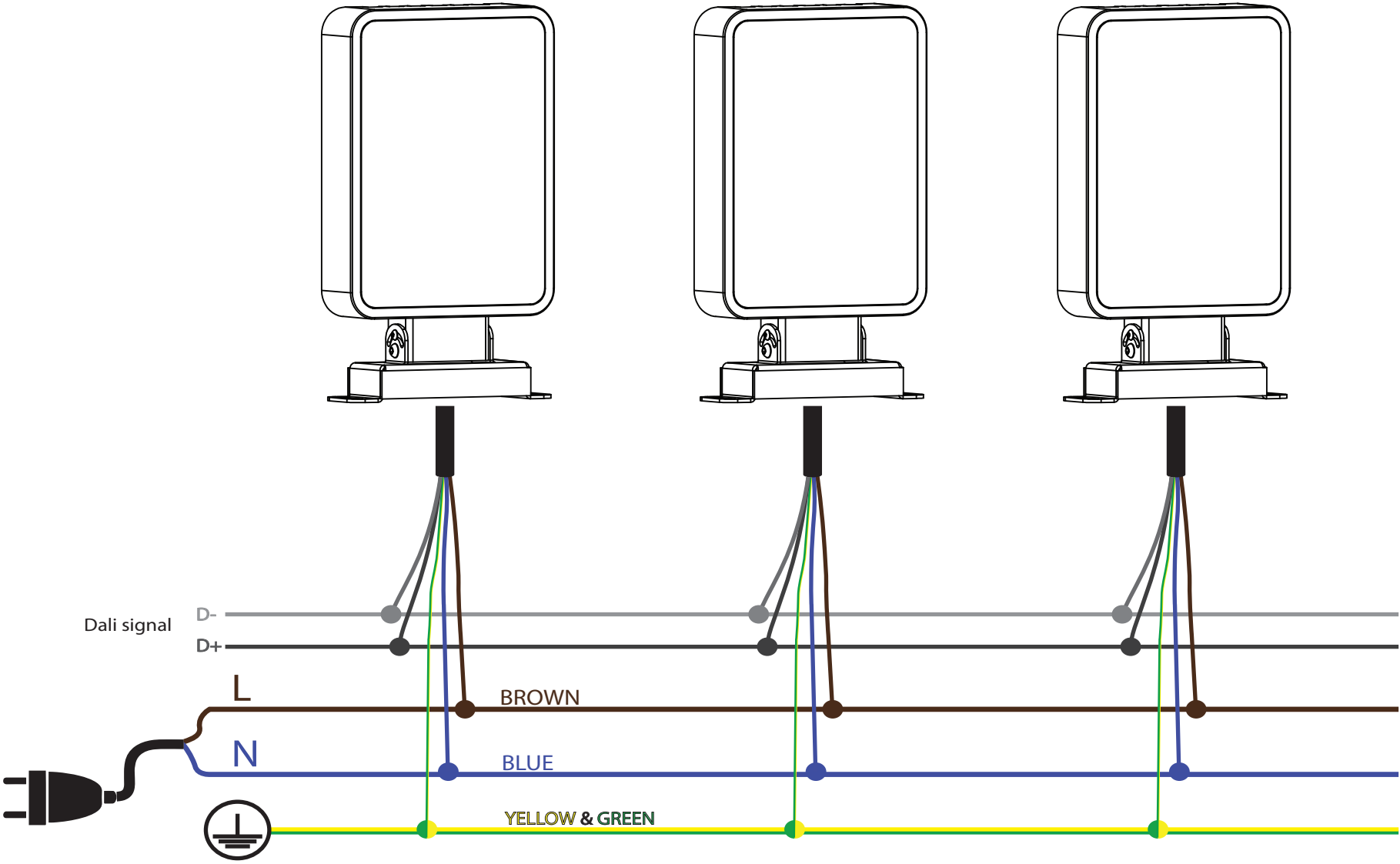
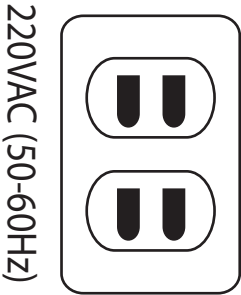


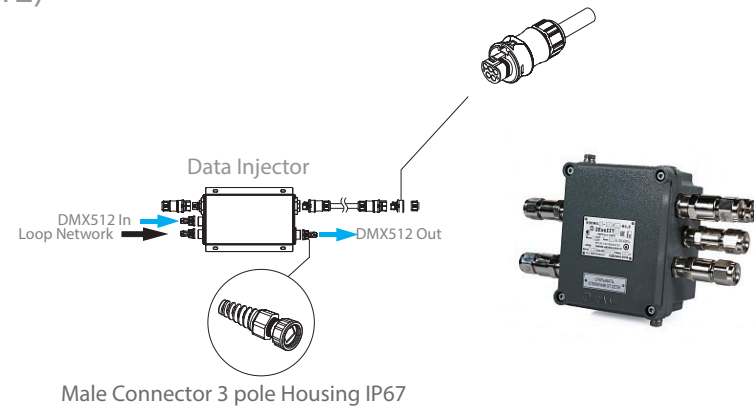
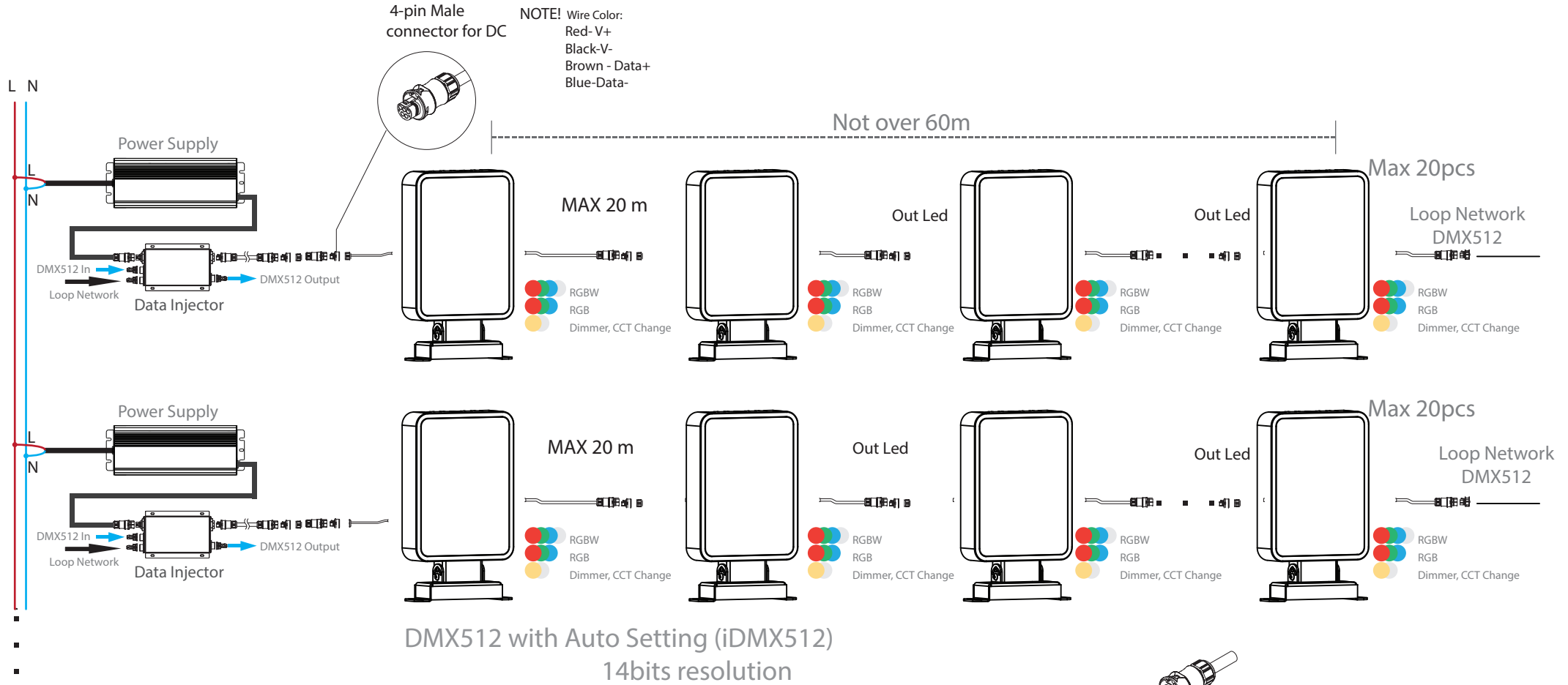


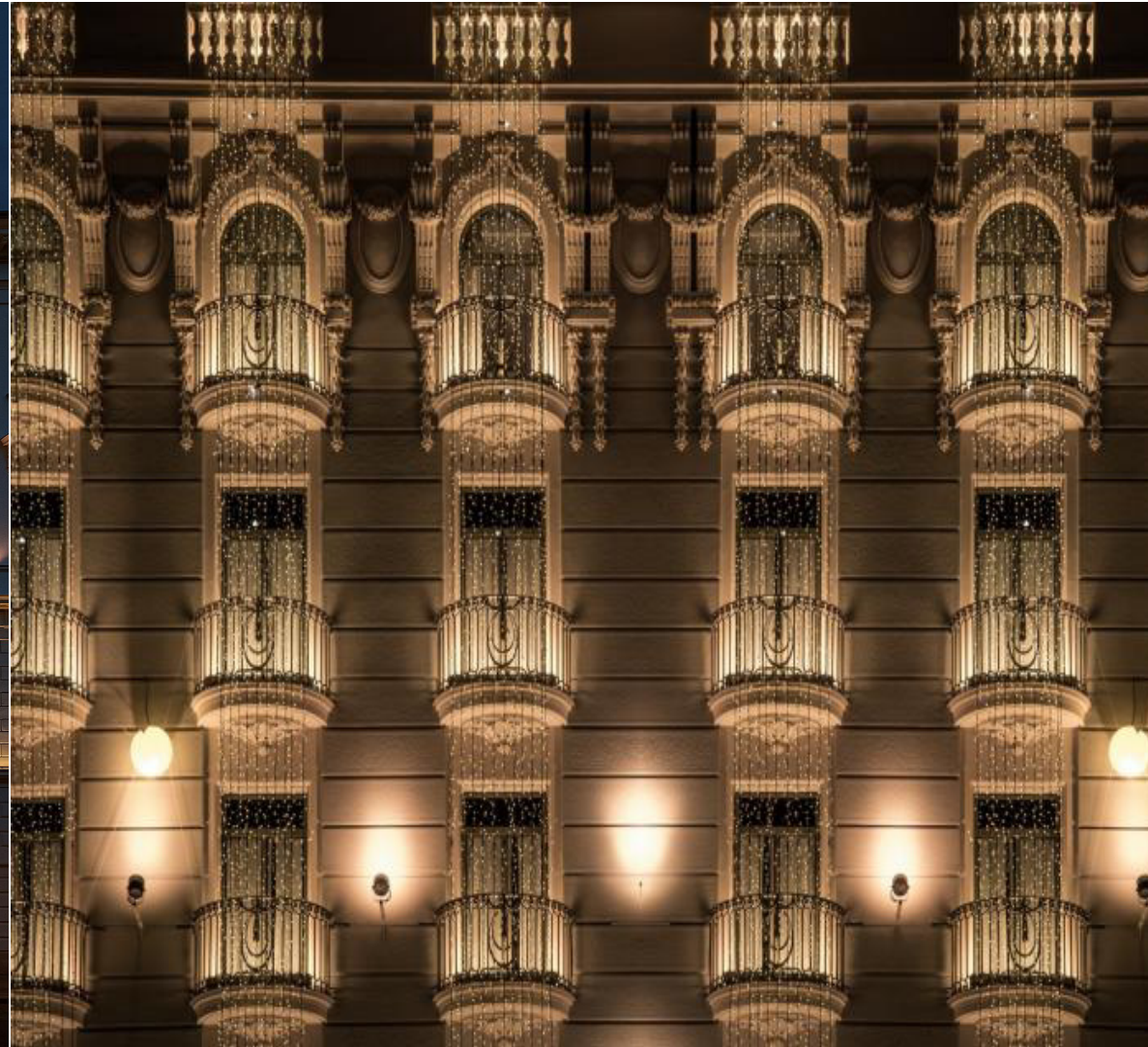
All dimension in mm

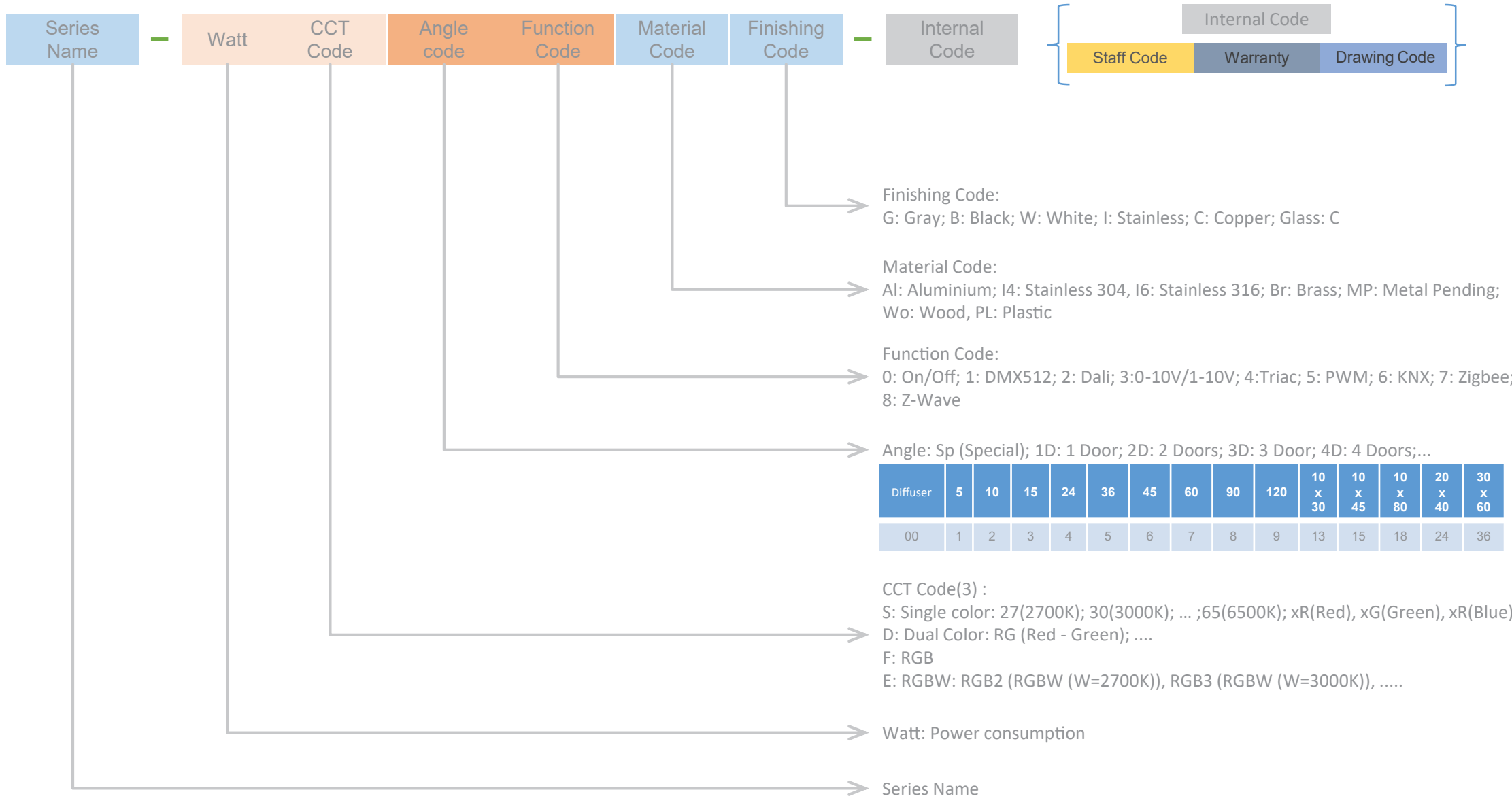
220VAC (50-60HZ)













Swan-Series

Width : 250 mm

Length : Series

Height : 800 mm

Weight : Series



//CONTACT US// TMtech Electronics Co., Ltd

THANKS FOR YOUR
ATTENTION



Add: No.28, 10 Street, Linh Trung Ward, Thu Duc District, Ho Chi Minh City.,VN



Tel: (+84) 28.6283.7009

Hotline: (+84) 934.943.273



Email: support@tmtech.vn



Website: www.tmtech.vn