



Ripple-12 Series Inwater Spot Light



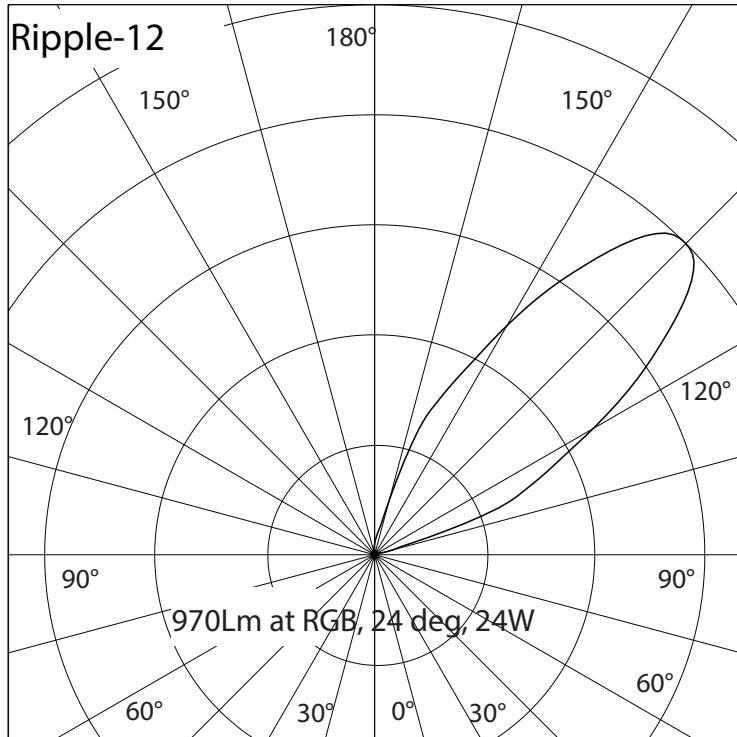
- Code Product: Ripple-12 Series
- Dimension: Ø150mm x H96mm
- Input Voltage: 24VDC
- Power Consumption : 12W- Max36W
- Luminous Flux: 970Lm at RGB, 24deg, 24W
- Brand of LED : LED Cree
- Color: 3000K - CRI: > 80 (Orther color: 2700 - 6000K; RGB; RGBW)
- Beam Angle: 15° (orther angle please contact us)
- Function Dimmer: PWM on Power
- Material: Stainless 316L
- Finishing (Color housing): Stainless
- IP Class: 68
- Electrical Class: III

- LED lifetime: 50.000hrs
- Lens: Clear | Material PMMA
Cellular | with UV protection
Sand
- Standards:
 - +EMC protection
 - +IEC 62031 LED modules for general lighting Safety specifications
 - +IEC 60598 Luminaires – Parts 1+2: General requirements particular requirementsand tests



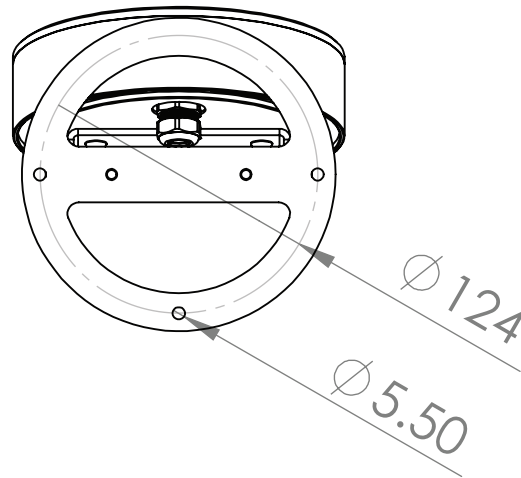
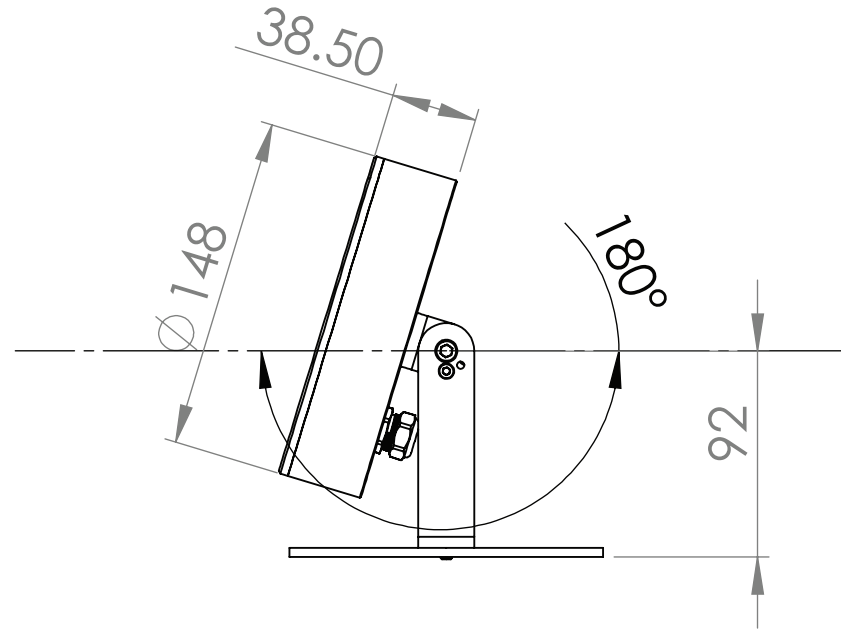
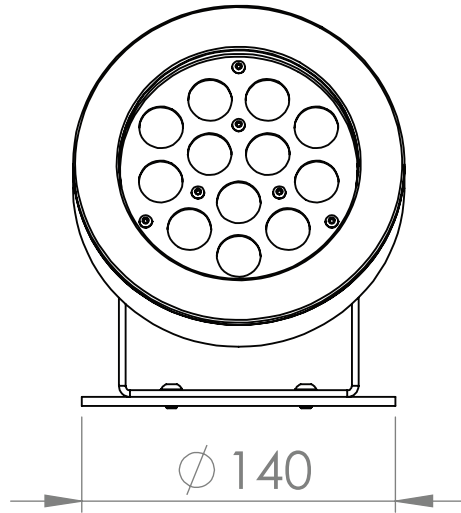
Pending

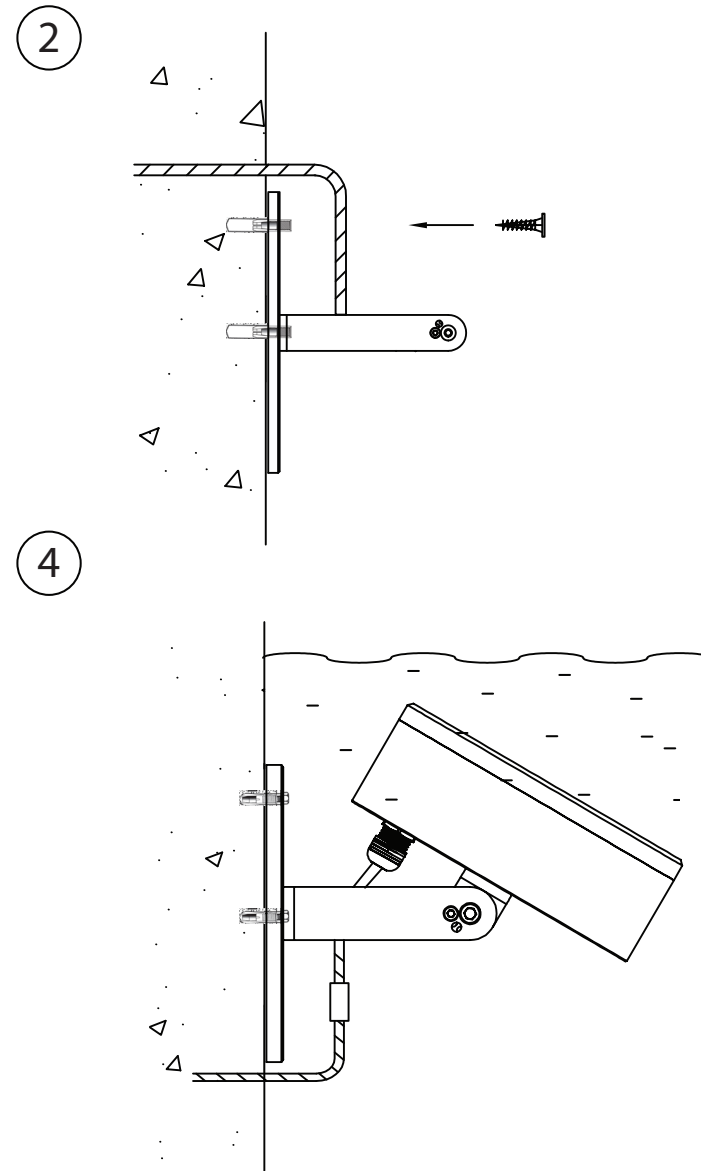
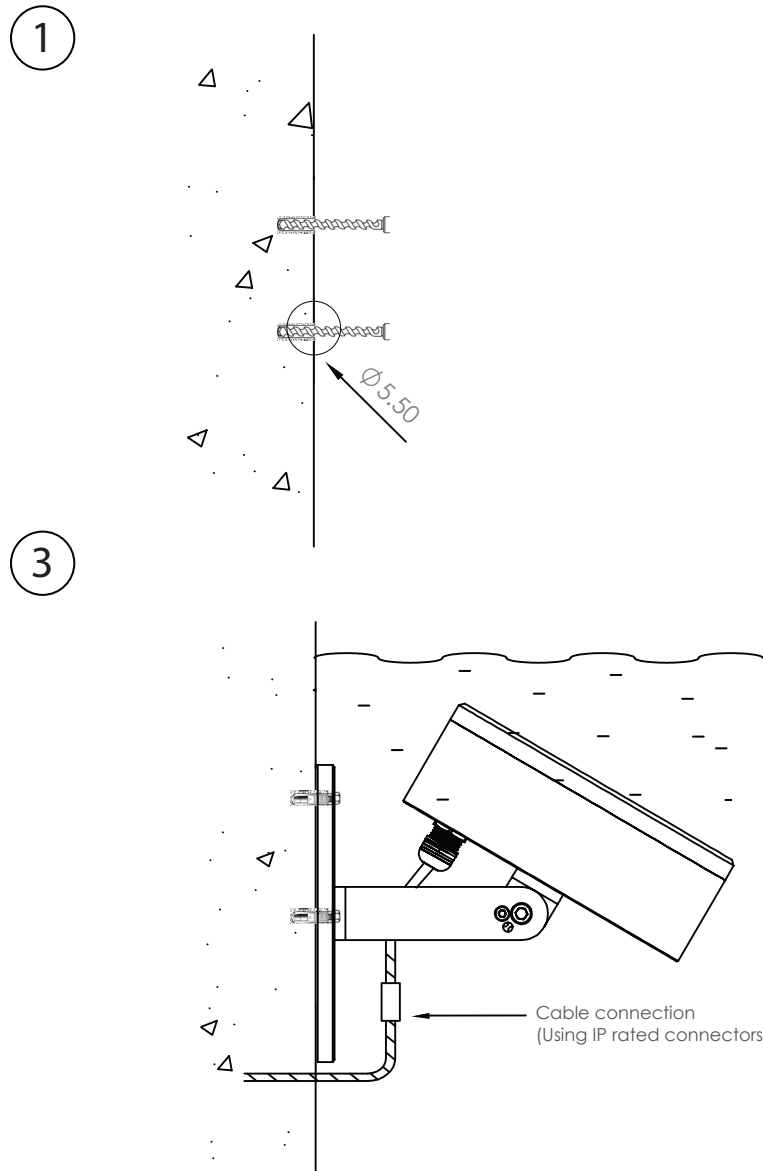
IP68

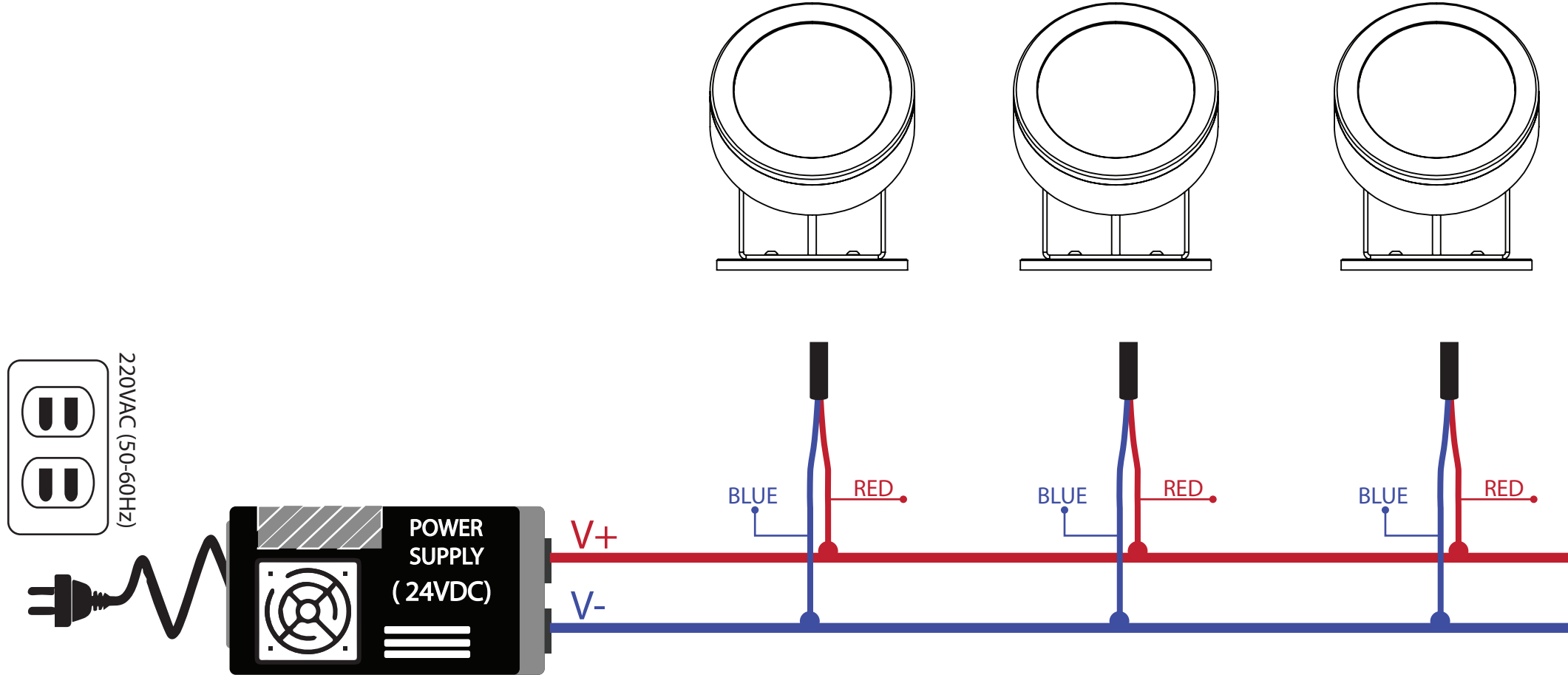


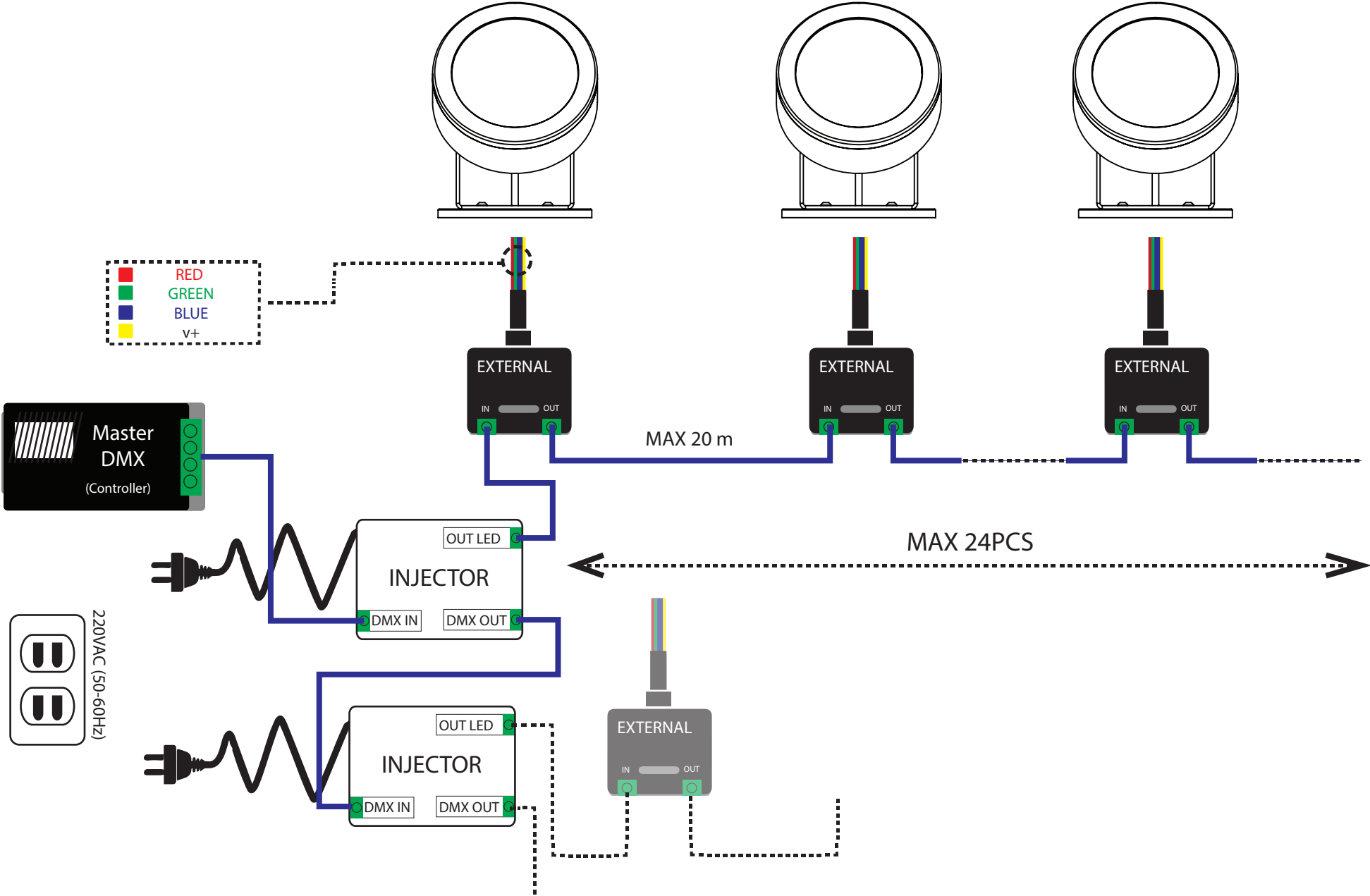
Product Description

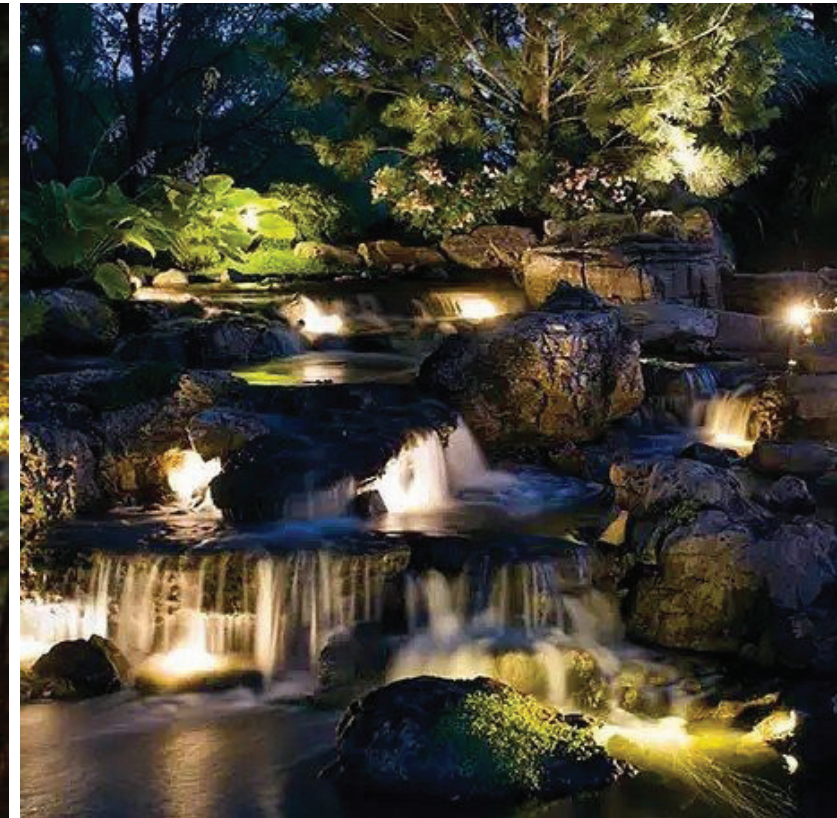
Control Gear	Fairchild Technology
LED Module	High-power LEDs on metal-core PCB. Collimating lens made of optical polymer/pmma
Anti-Glare	Option
Electrical Protection	EMC, inrush current
Electrical Class	3

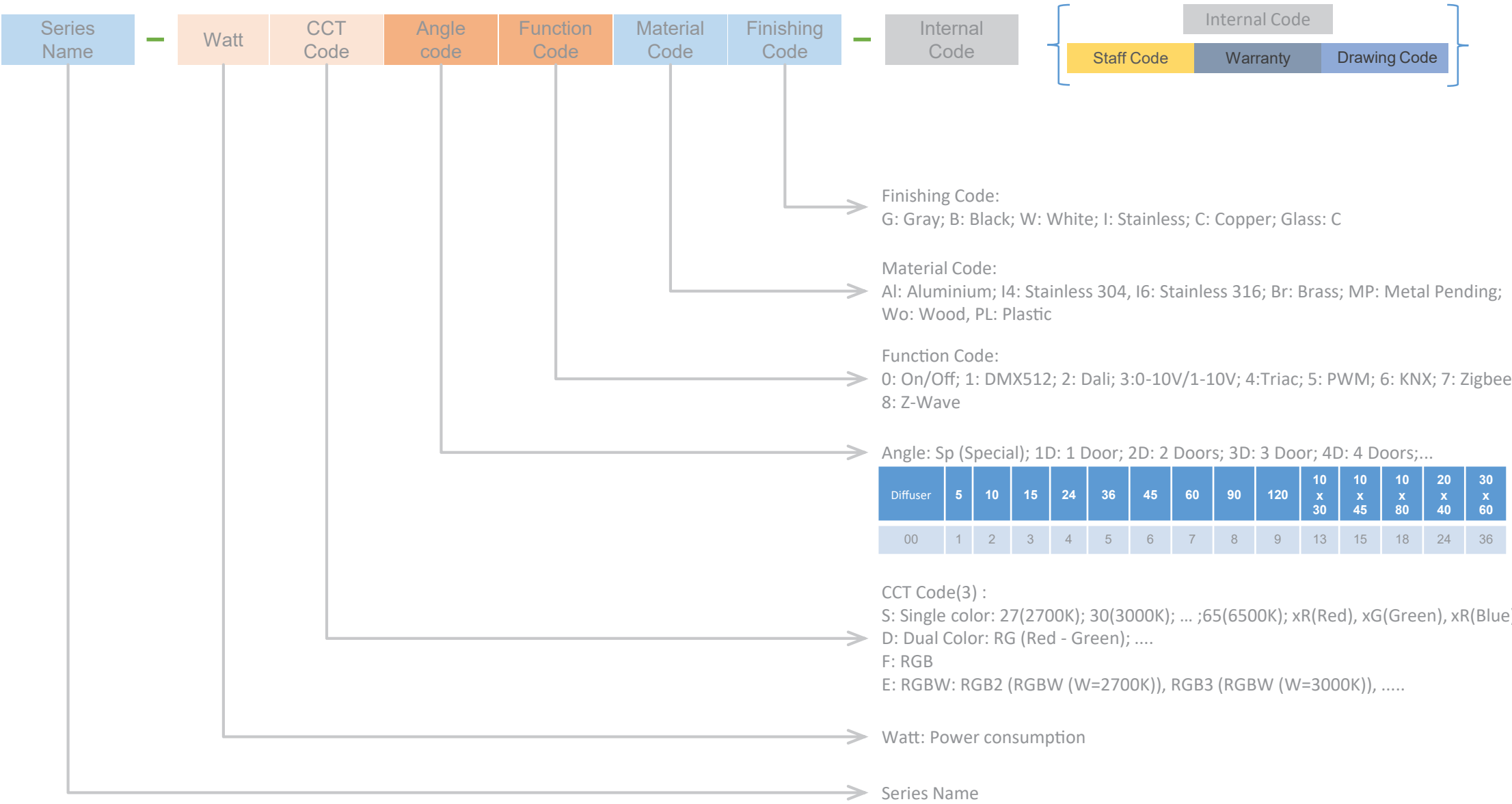














Width : 250 mm
Height: 250 mm
Lenght: 200 mm



THANKS FOR YOUR
ATTENTION

//CONTACT US// TMtech Electronics Co., Ltd



Add: No.28, 10 Street, Linh Trung Ward, Thu Duc District, Ho Chi Minh City.,VN



Tel: (+84)28.6283.7009

Hotline: (+84) 934.943.273



Email: support@tmtech.vn



Website: www.tmtech.vn