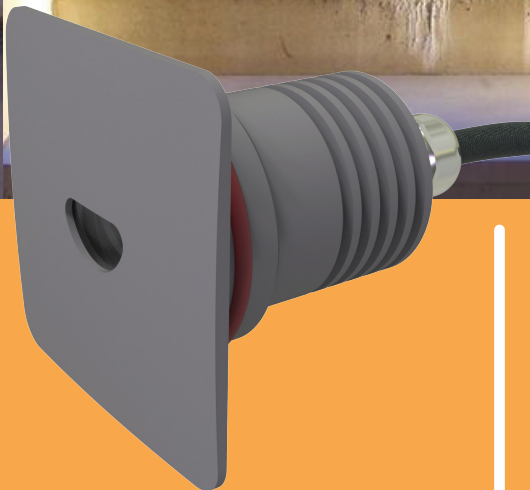
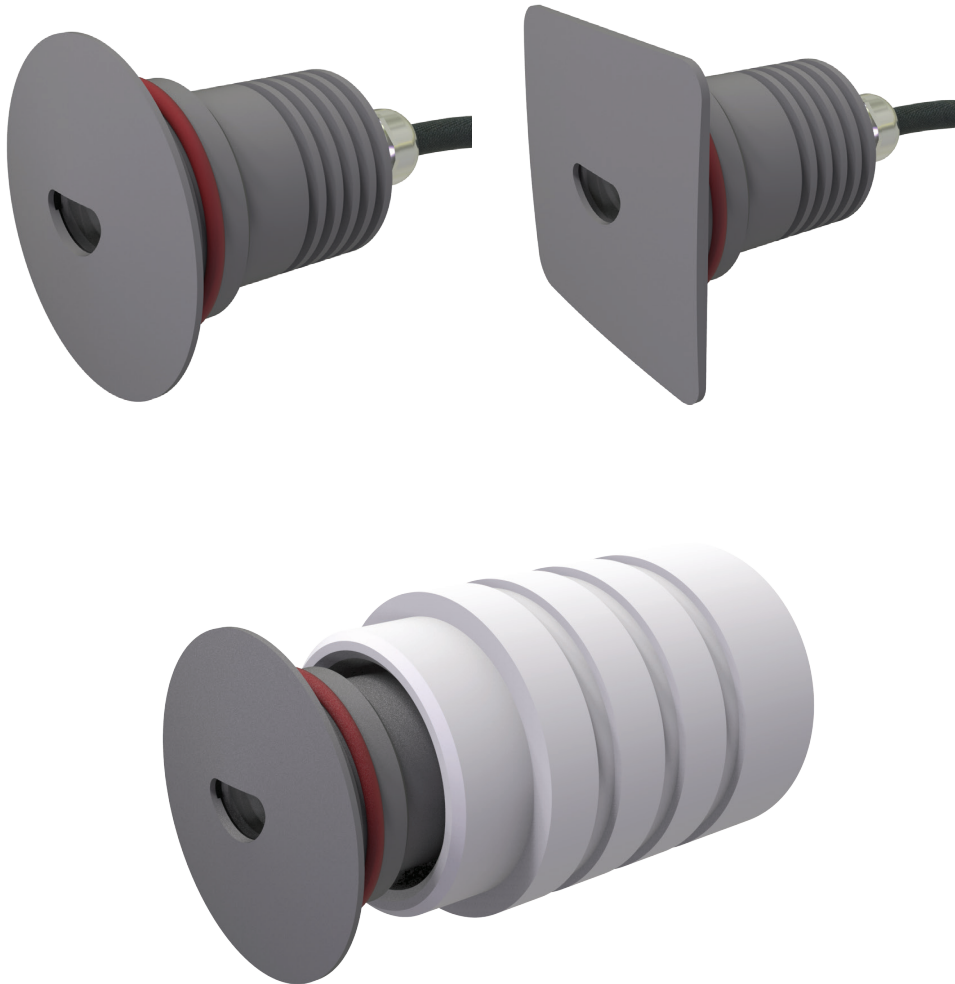


Door-C



Door-S

Door-Series
Wall luminaires recessed

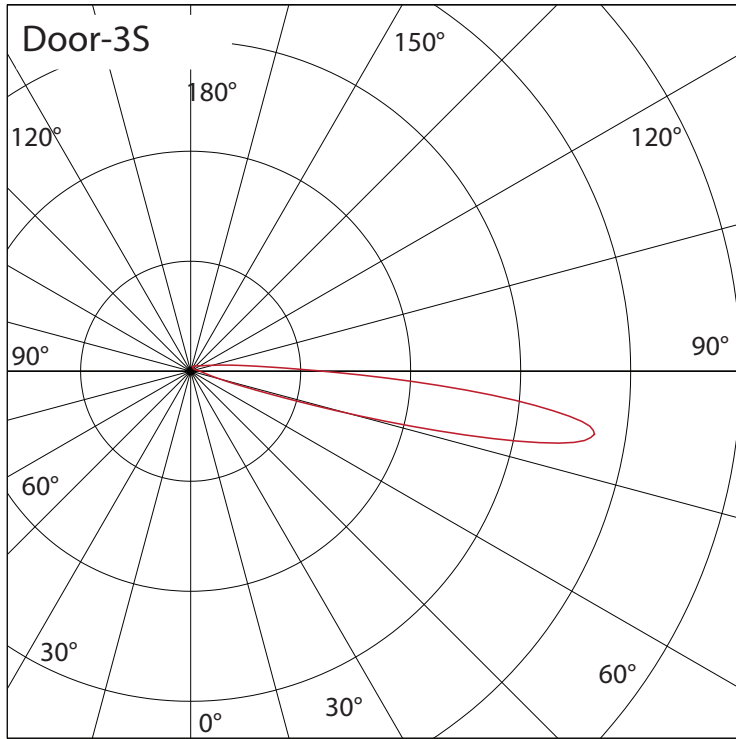


- Code Product: Door(C/S)-Series
- Dimension: Ø55x46 mm; Cutout Ø67mm
- Input Voltage: 24VDC
- Power consumption: Series (1W,2W,3W)
- Luminous Flux: 90Lm at 3W, 3000K
- Brand of LEDs: LED CREE
- Color: 3000K, CRI >80
- Beam Angle: Special Light
- Function Dimmer: PWM on Power
- Material: Aluminium
- Finishing (Color housing): Anodizing Topology
- IP Class: 67
- Electrical Class: III

- LED lifetime: 50.000hrs
- Lens:

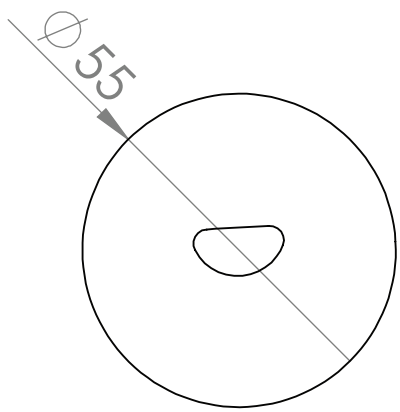
Clear	Material PMMA with UV protection
Cellular	
Sand	
- Standards:
 - +EMC protection
 - +IEC 62031 LED modules for general lighting Safety specifications
 - +IEC 60598 Luminaires – Parts 1+2: General requirements particular requirements and tests



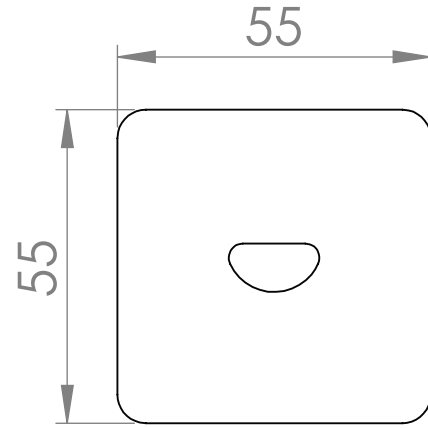


90Lm at 3W, 3000K

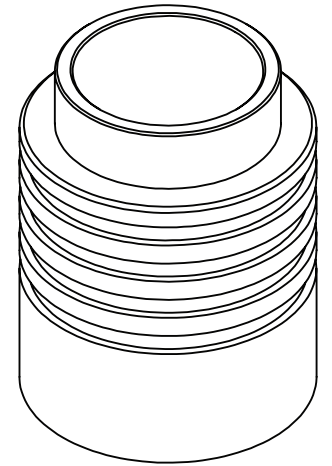
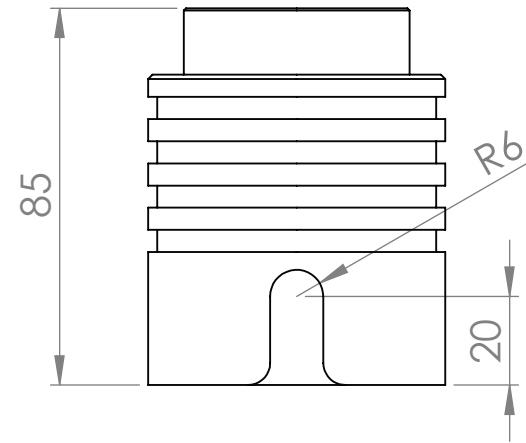
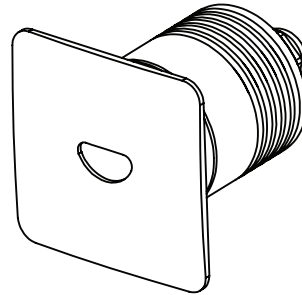
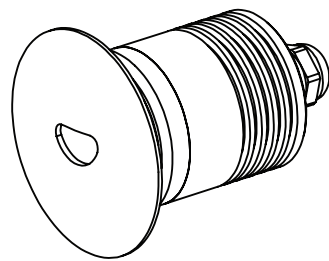
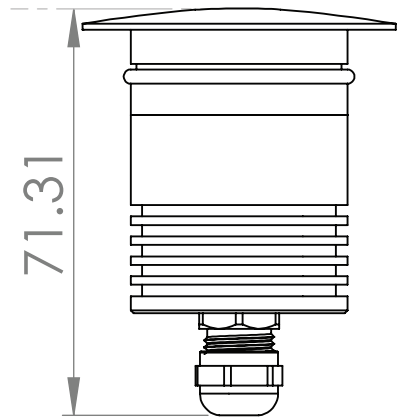
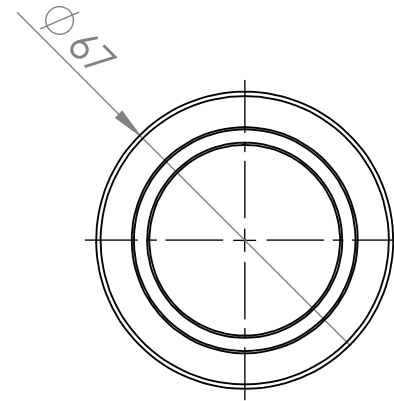
Product Description	
Control Gear	Fairchild Technology
LED Module	High-power LEDs on metal-core PCB. Collimating lens made of optical polymer/pmma
Anti-Glare	Option
Electrical Protection	EMC, inrush current
Electrical Class	3

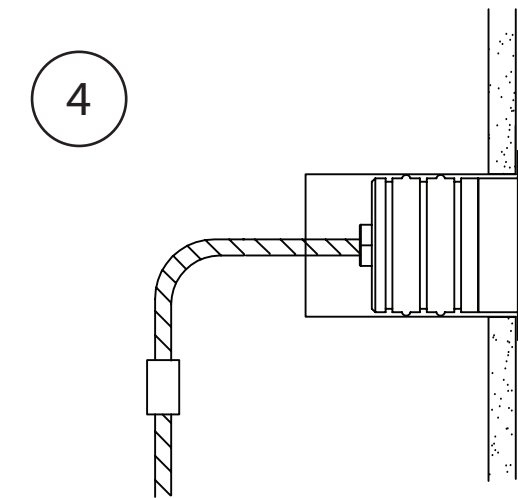
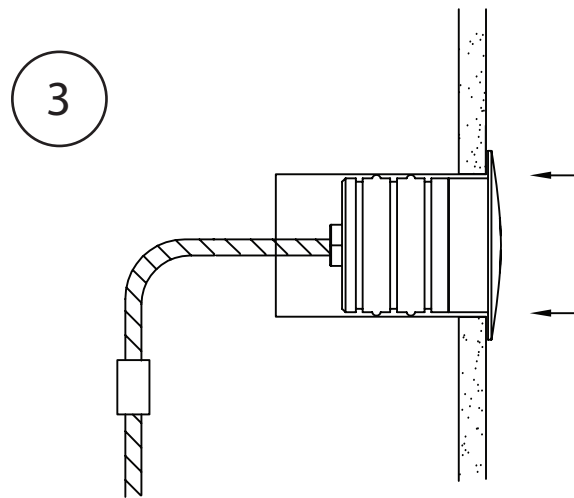
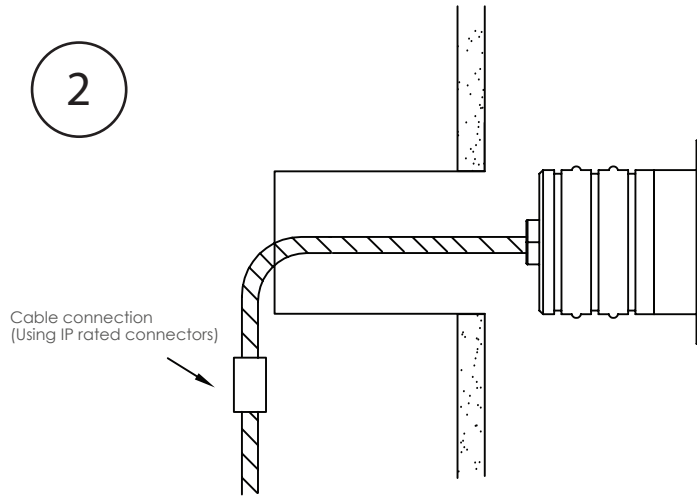
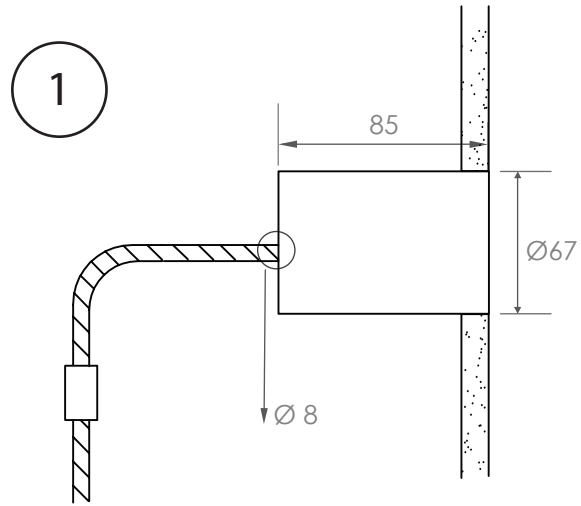


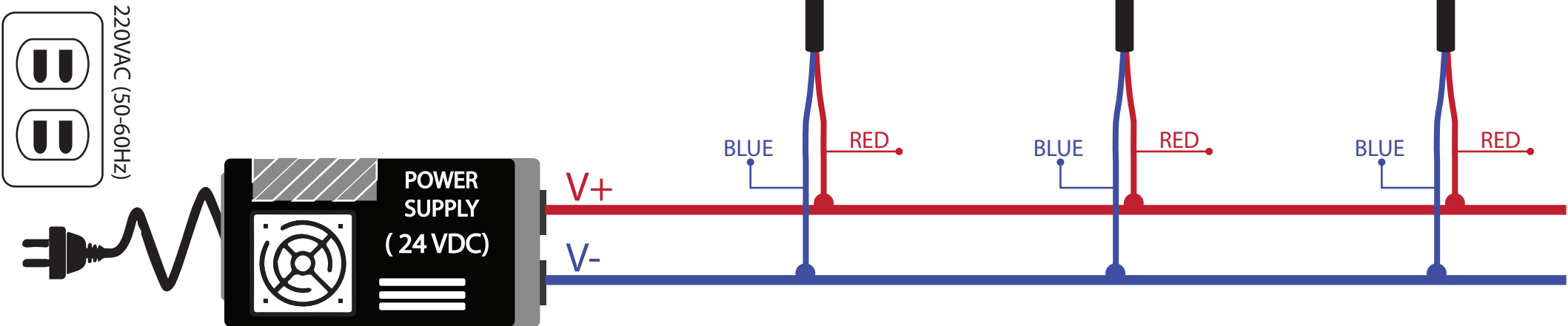
Door-C



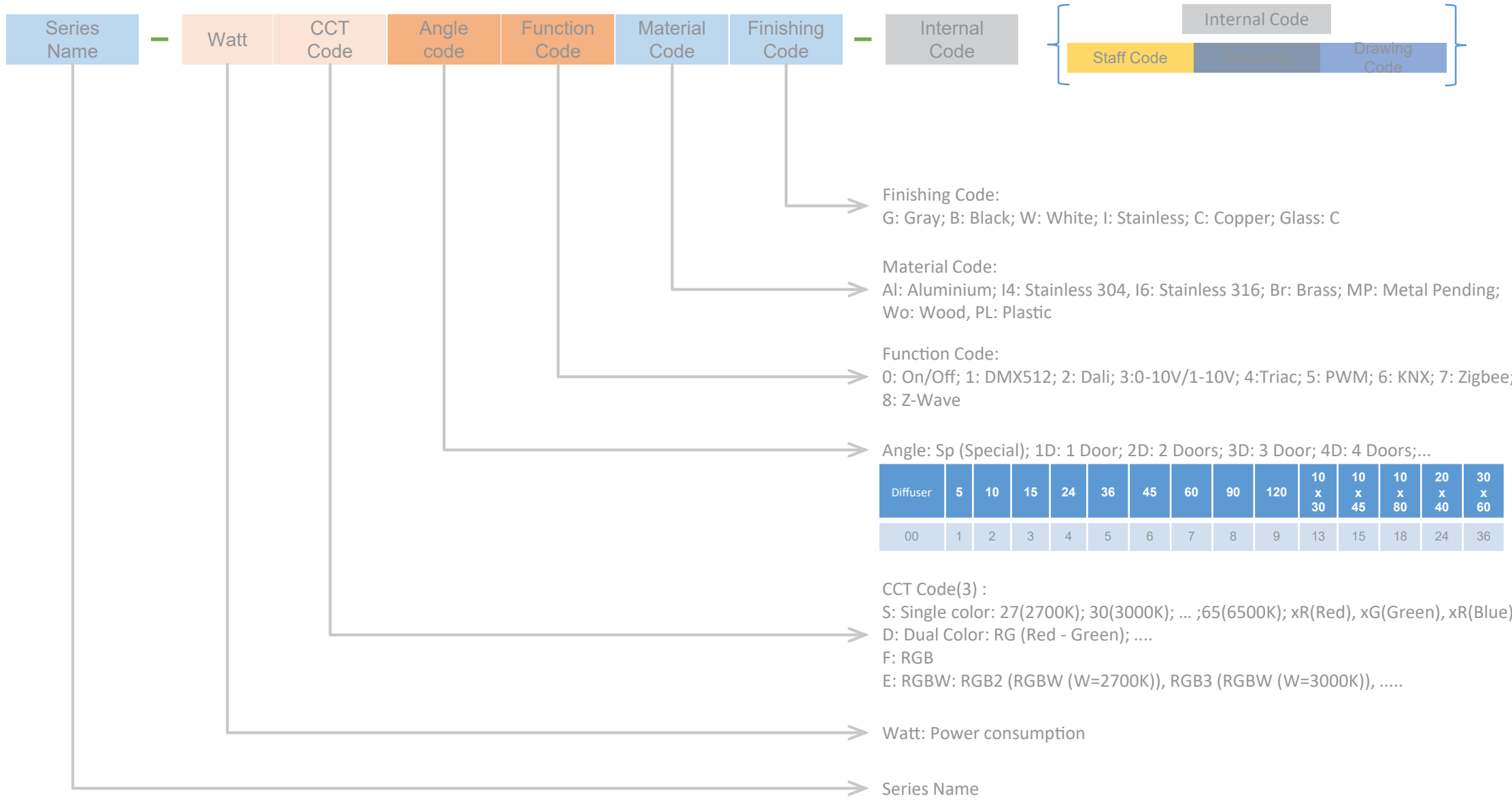
Door-S











Finishing Code:
 G: Gray; B: Black; W: White; I: Stainless; C: Copper; Glass: C

Material Code:
 Al: Aluminium; I4: Stainless 304, I6: Stainless 316; Br: Brass; MP: Metal Pending;
 Wo: Wood, PL: Plastic

Function Code:
 0: On/Off; 1: DMX512; 2: Dali; 3: 0-10V/1-10V; 4: Triac; 5: PWM; 6: KNX; 7: Zigbee;
 8: Z-Wave

Angle: Sp (Special); 1D: 1 Door; 2D: 2 Doors; 3D: 3 Door; 4D: 4 Doors;...

Diffuser	5	10	15	24	36	45	60	90	120	10 x 30	10 x 45	10 x 80	20 x 40	30 x 60	
	00	1	2	3	4	5	6	7	8	9	13	15	18	24	36

CCT Code(3) :
 S: Single color: 27(2700K); 30(3000K); ... ;65(6500K); xR(Red), xG(Green), xR(Blue)
 D: Dual Color: RG (Red - Green);
 F: RGB
 E: RGBW: RGB2 (RGBW (W=2700K)), RGB3 (RGBW (W=3000K)),

Watt: Power consumption

Series Name



Width : 80 mm
Height : 80 mm
Length : 100 mm
Weight: 0.5kg



//CONTACT US// TMtech Electronics Co., Ltd

THANKS FOR YOUR
ATTENTION



Add: No.28, 10 Street, Linh Trung Ward, Thu Duc District, Ho Chi Minh City.,VN



Tel: (+84) 28.668.222.73

Hotline: (+84) 934.943.273



Email: support@tmtech.vn



Website: www.tmtech.vn