



Xenon - Series Decoration Lighting



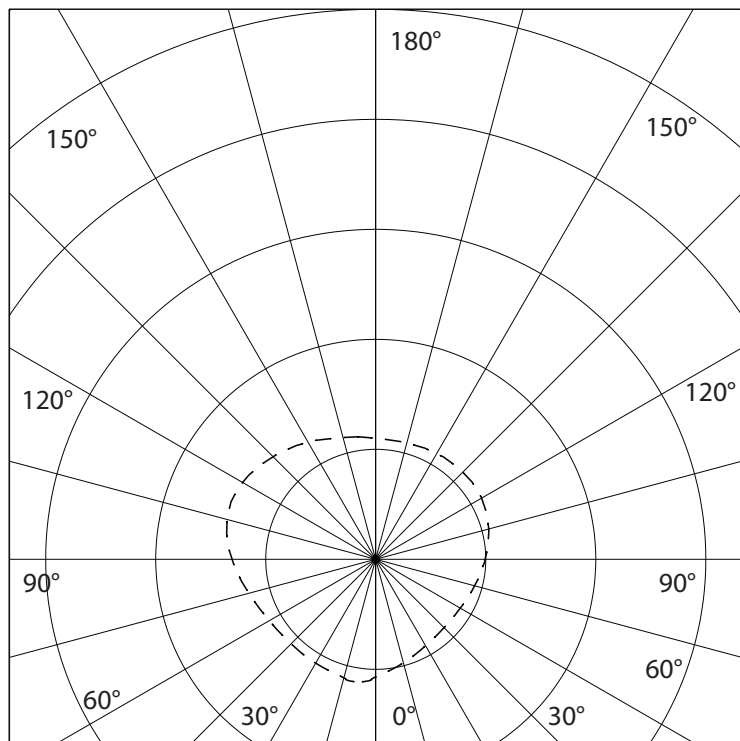
- Code Product: Xenon - Series
- Dimension: 170x170x308mm
- Input Voltage: 110-240VAC (43-60Hz)
- Power consumption: 7W, 9W, 12W
- Luminous Flux: 740Lm at 2700K at 12W
- Brand of LEDs: LED CREE
- Color: 2700K (2200K-6000K; RGB/RGBW)
- Beam Angle: Diffuser
- Function Dimmer: None
- Material: Stainless 304
- Finishing (Color housing): Power Coasting
- IP Class: 65
- Electrical Class: I

- LED lifetime: 50.000hrs
- Lens:

Clear	Material PMMA with UV protection
Cellular	
Sand	
- Standards:
 - +EMC protection
 - +IEC 62031 LED modules for general lighting Safety specifications
 - +IEC 60598 Luminaires – Parts 1+2: General requirements particular requirements and tests

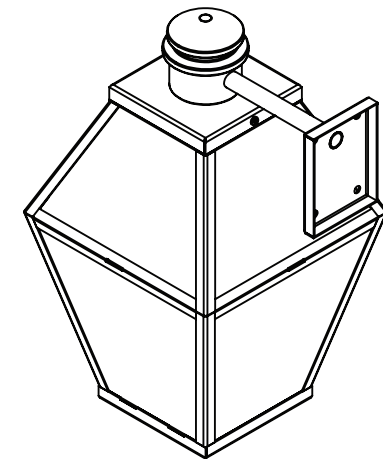
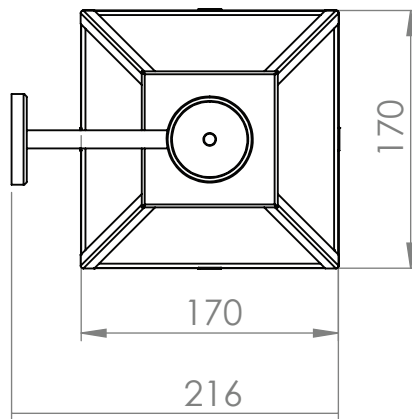
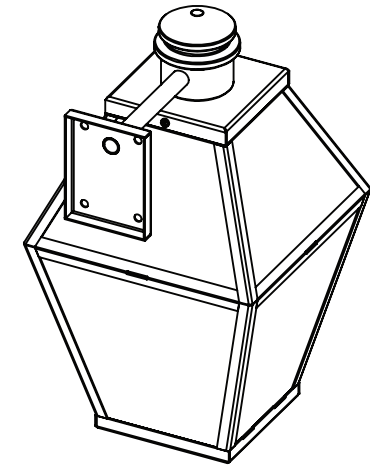
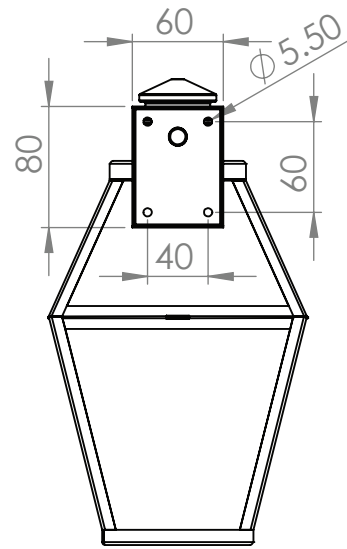
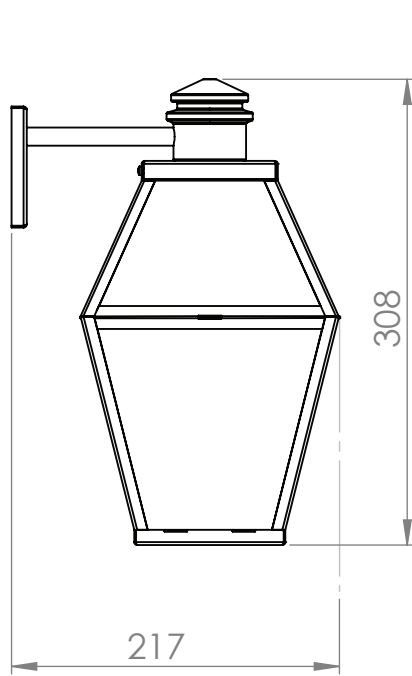


Technical tolerance: 5%

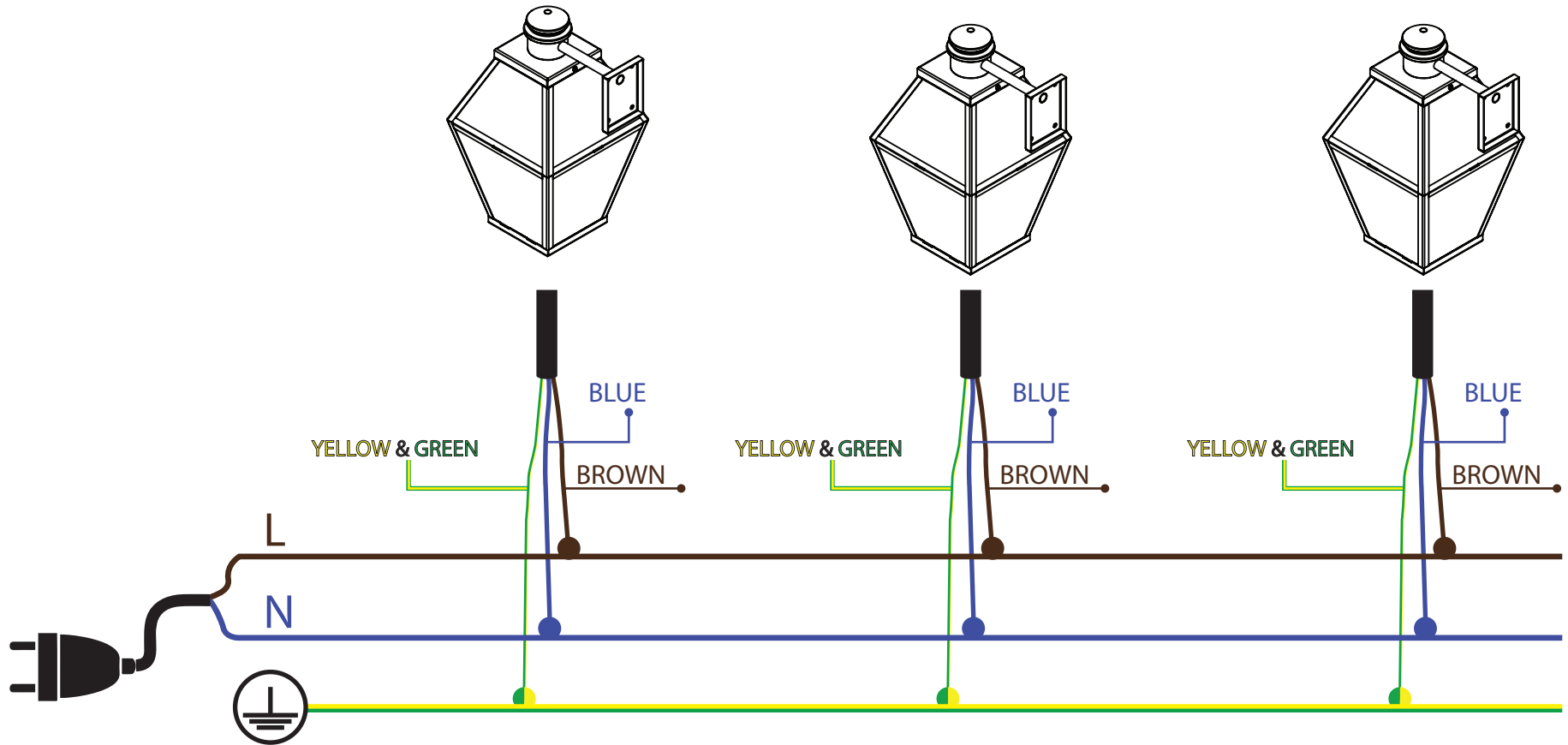
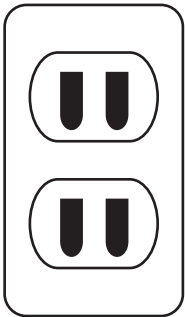


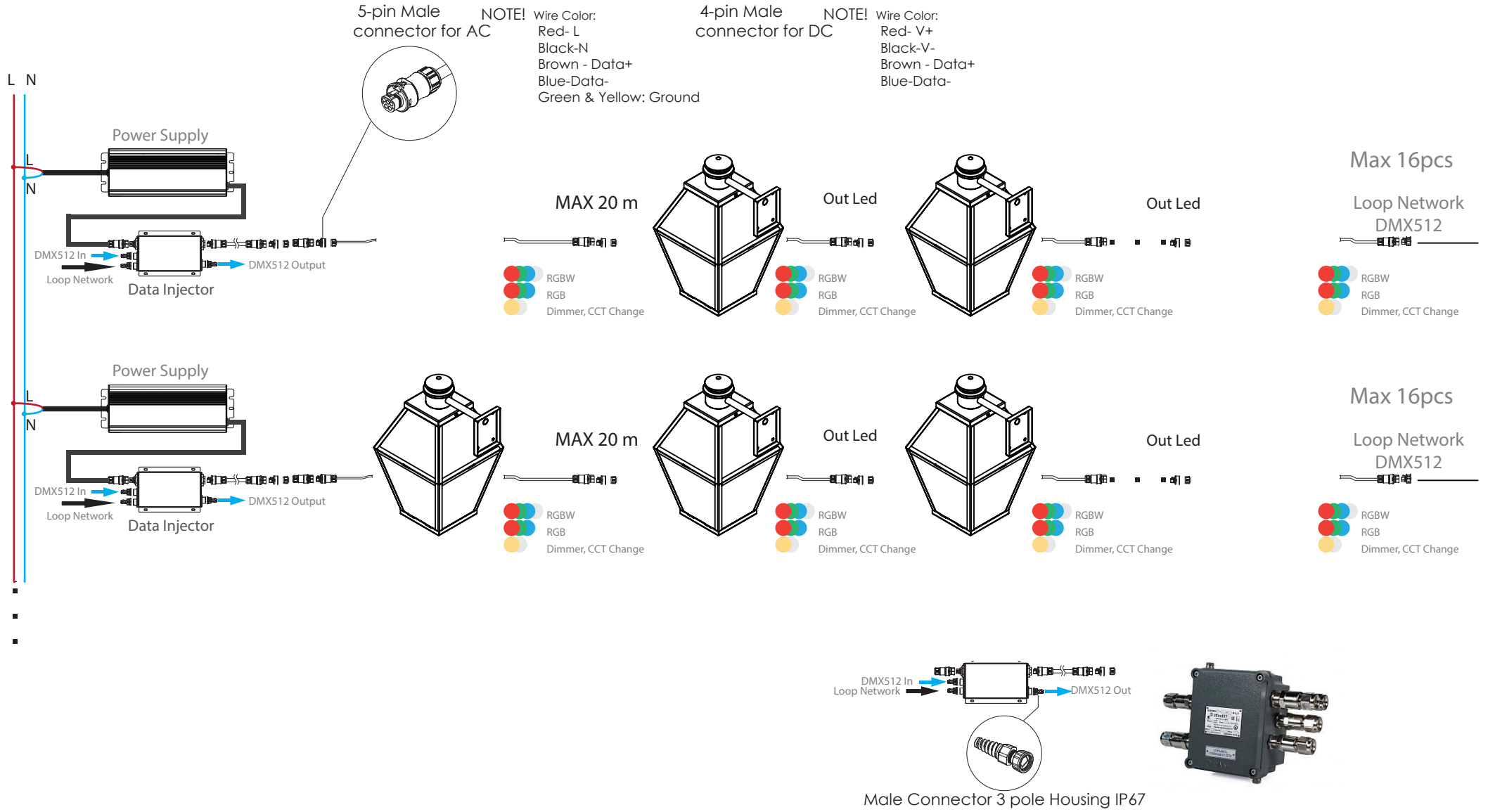
740Lm at 2700K 12W

Product Description	
Control Gear	Fairchild Technology
LED Module	High-power LEDs on metal-core PCB. Collimating lens made of optical polymer/pmma
Anti-Glare	Option
Electrical Protection	EMC, inrush current
Electrical Class	3

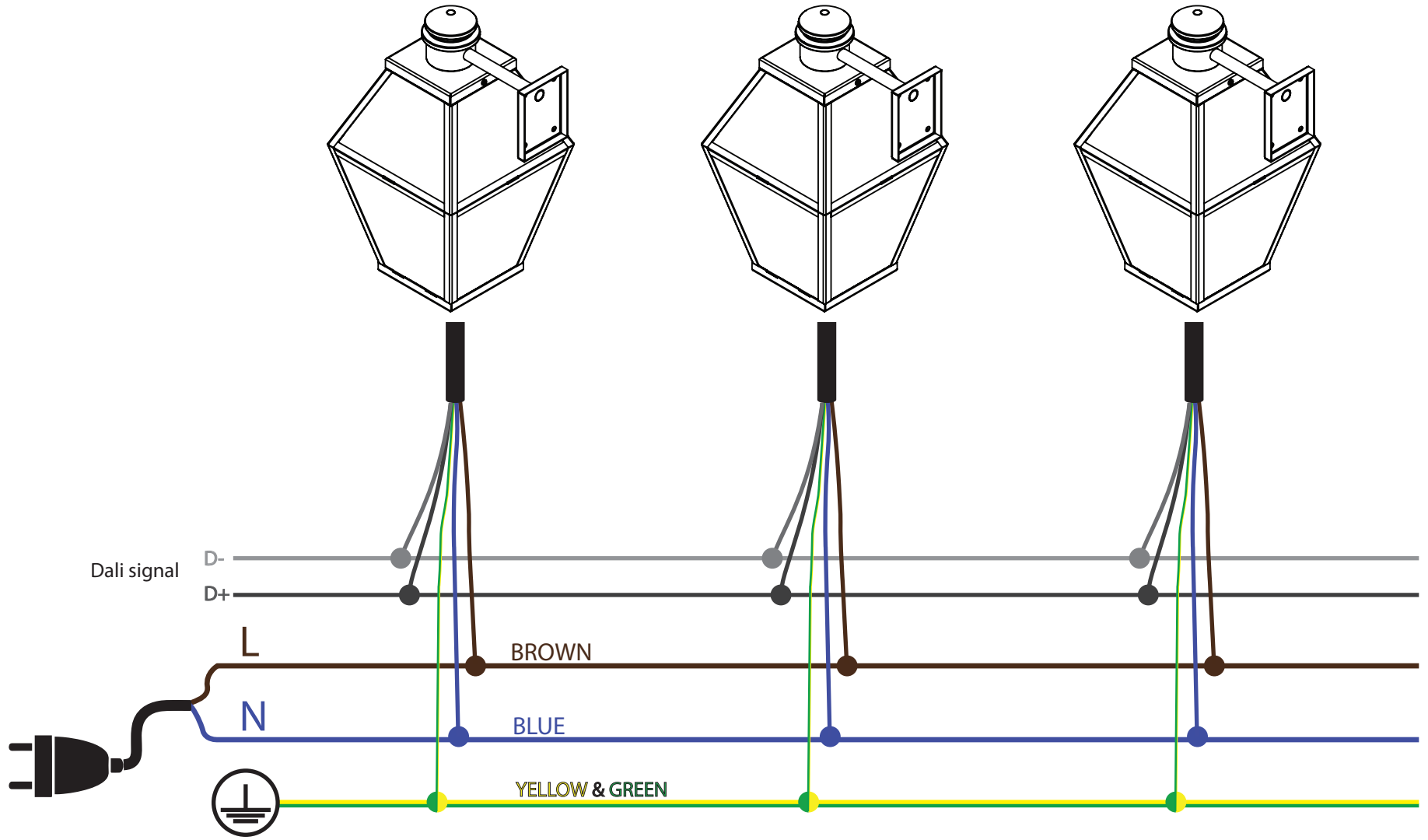
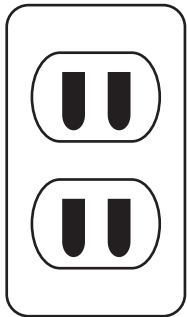


220VAC (50-60Hz)

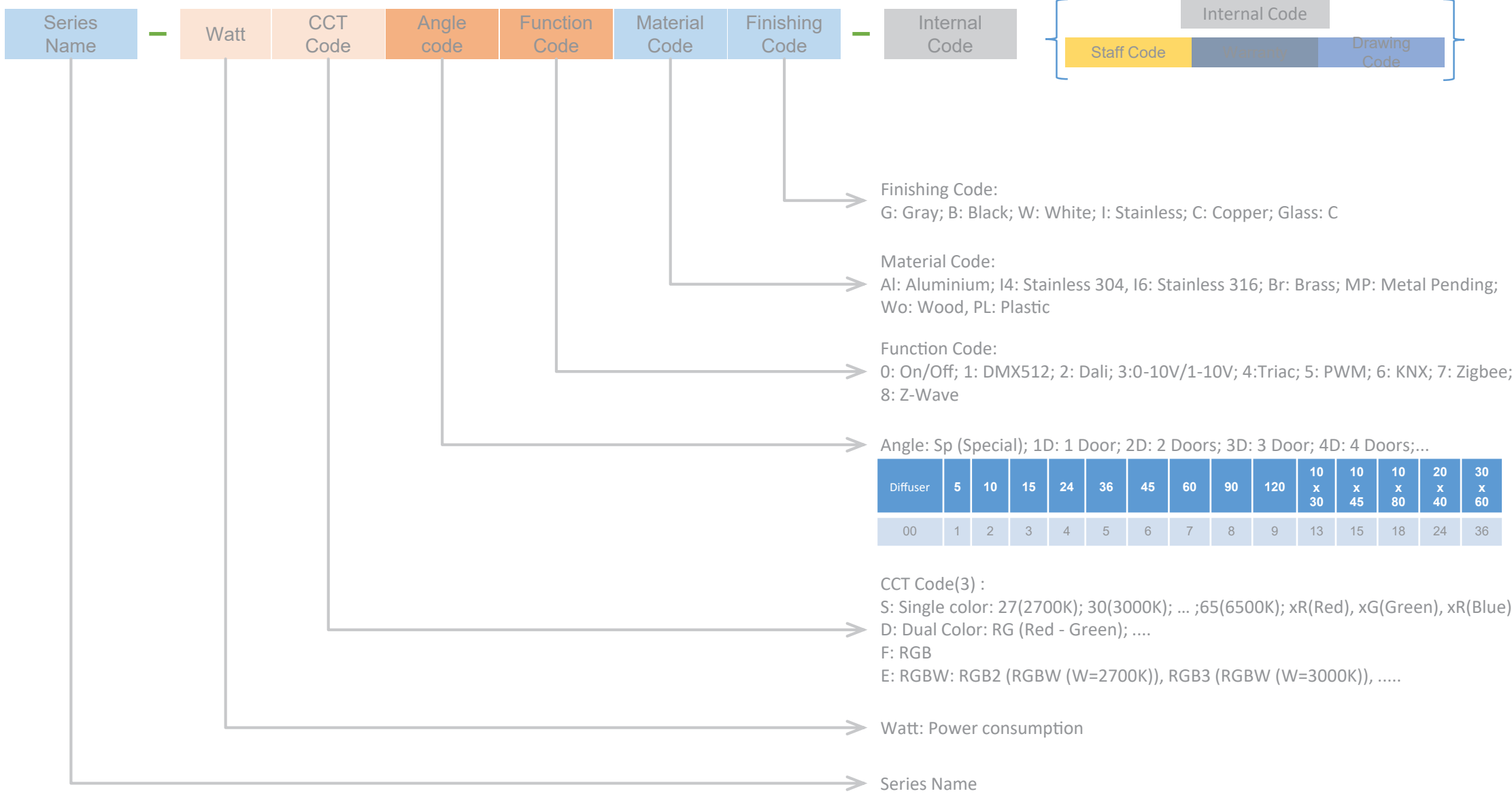




220VAC (50-60HZ)







Diffuser	5	10	15	24	36	45	60	90	120	10 x 30	10 x 45	10 x 80	20 x 40	30 x 60	
	00	1	2	3	4	5	6	7	8	9	13	15	18	24	36



Width : 400 mm

Height : 400 mm

Length : 750 mm

Weight



//CONTACT US// TMtech Electronics Co., Ltd

THANKS FOR YOUR
ATTENTION



Add: No.28, 10 Street, Linh Trung Ward, Thu Duc District, Ho Chi Minh City.,VN



Tel: (+84) 28.6283.7009

Hotline: (+84) 934.943.273



Email: support@tmtech.vn



Website: www.tmtech.vn