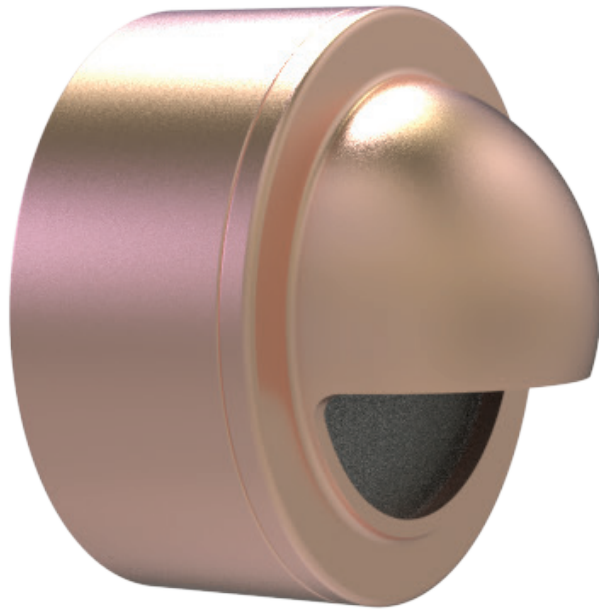




Augen Series
Path Lighting



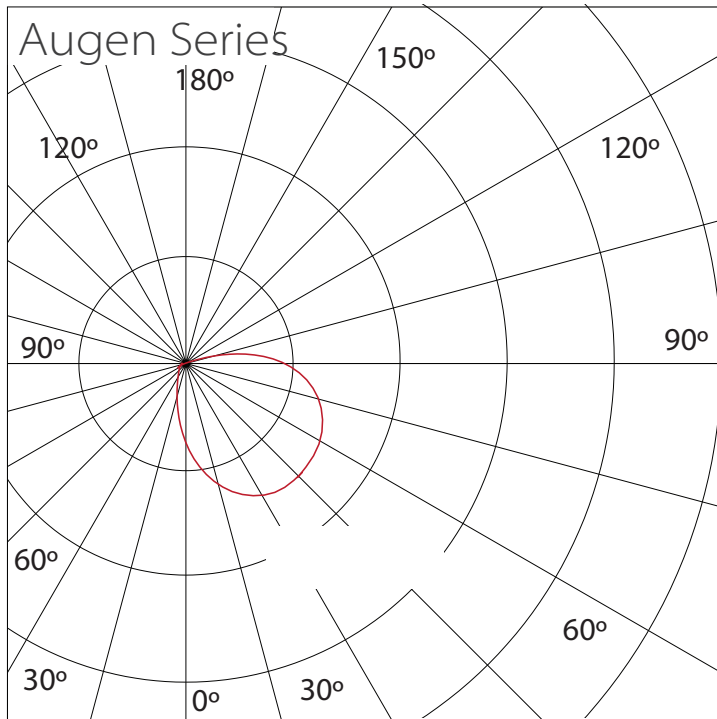
- Code Product: Augen Series
- Dimension: Ø88 x 40mm
- Input Voltage: 12VAC
- Power Consumption: 3-5W
- Luminous Flux: 140Lm at 3000K at 5W, Asymmetric
- Brand of LED: LED CREE
- Color: 3000K- CRI>90 (Single Color)
- Angle: Asymmetric
- Function: PWM on Power
- Material: Body: Copper / Brass
- Housing Color: Copper / Brass
- IP Class: 66
- Electrical Class: I

- LED lifetime: 50.000hrs
- Lens: Clear
Cellular
Sand | Material PMMA
with UV protection
- Standards:
 - +EMC protection
 - +IEC 62031 LED modules for general lighting Safety specifications
 - +IEC 60598 Luminaires – Parts 1+2: General requirements particular requirements and tests



IP66

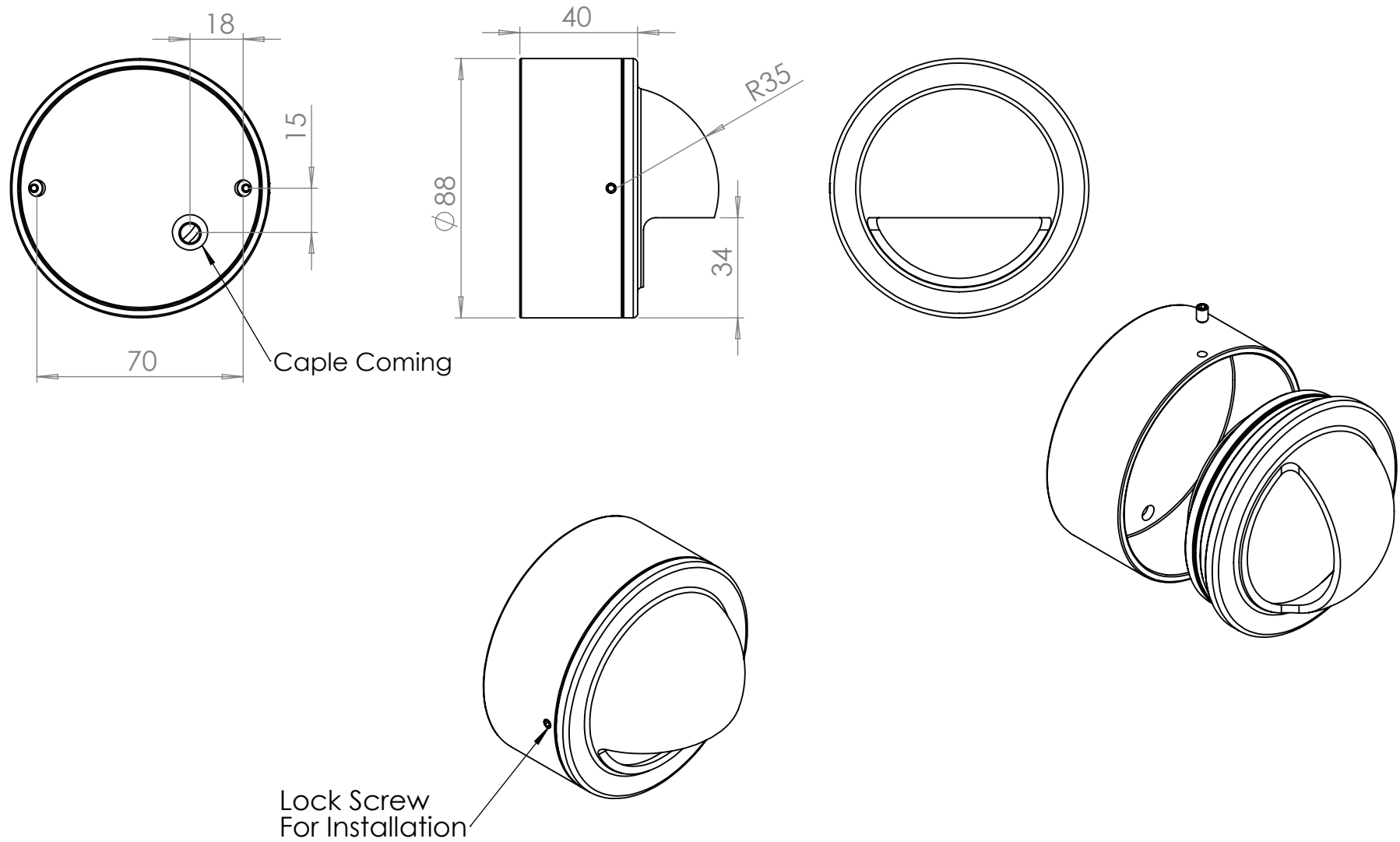
Pending

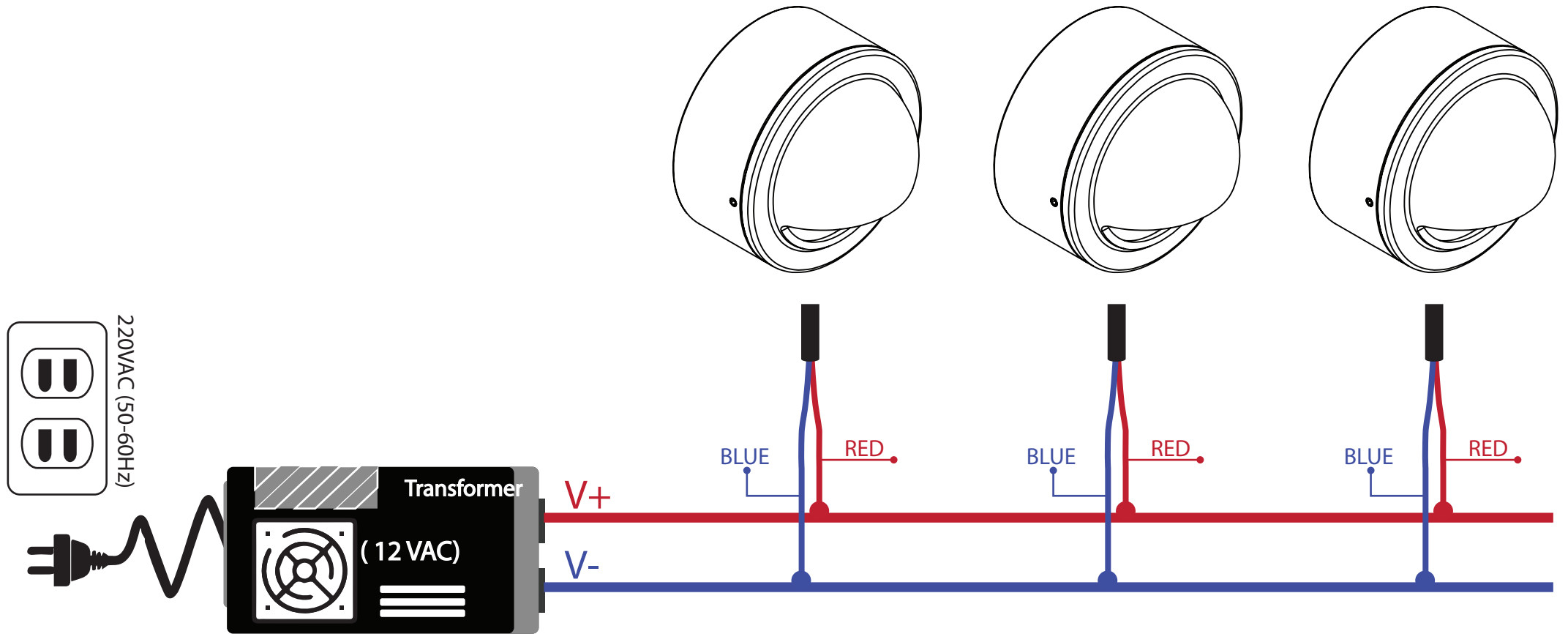


140Lm at 3000K at 5W, Asymmetric

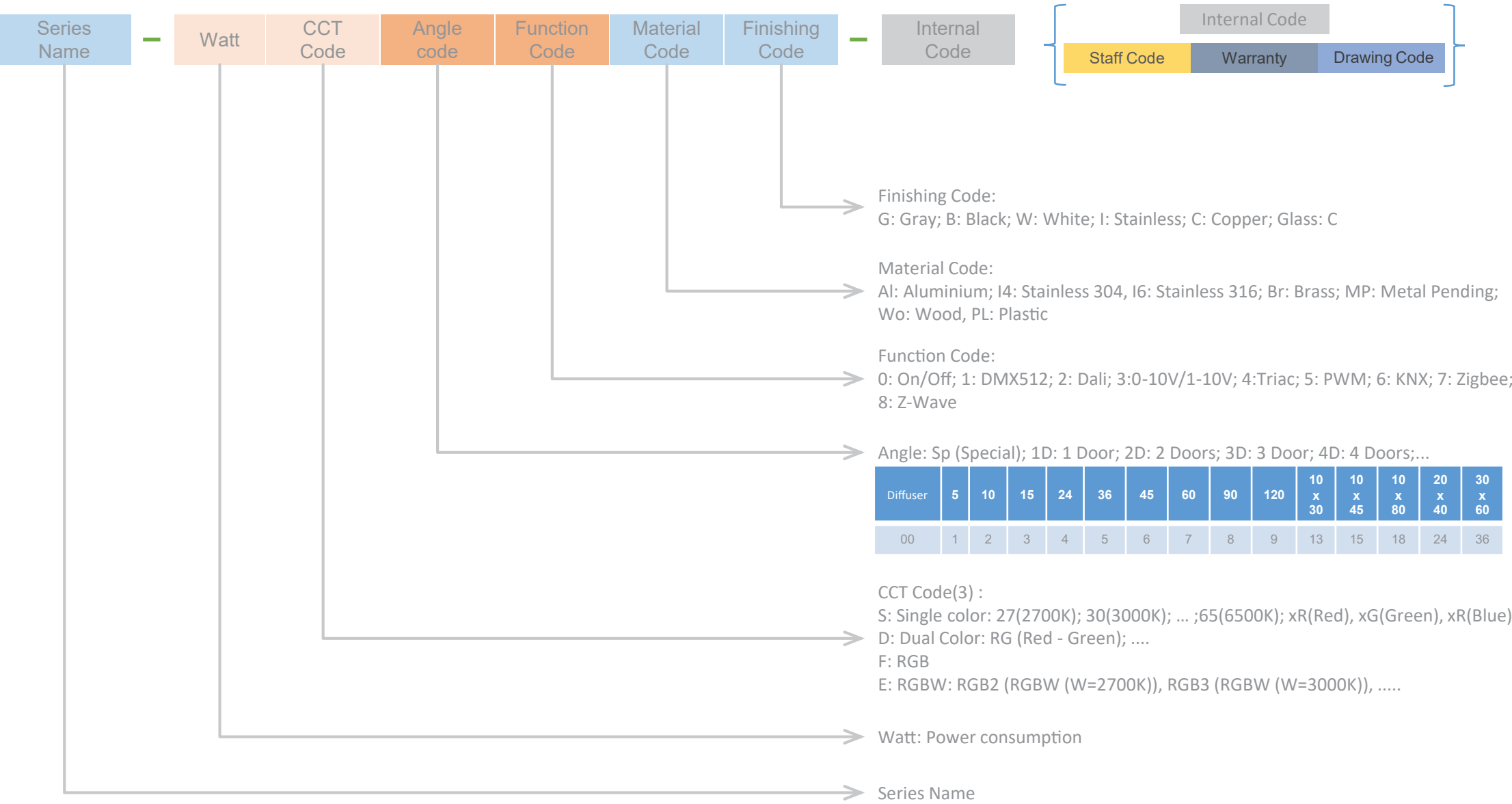
Product Description

Control Gear	Fairchild Technology
LED Module	High-power LEDs on metal-core PCB. Collimating lens made of optical polymer/pmma
Anti-Glare	Option
Electrical Protection	EMC, inrush current
Electrical Class	1











Width : mm
Height: mm
Length: mm
Weight: Kg



THANKS FOR YOUR
ATTENTION

//CONTACT US// TMtech Electronics Co., Ltd



Add: No.28, 10 Street, Linh Trung Ward, Thu Duc District, Ho Chi Minh City.,VN



Tel: (+84) 28.668.222.73

Hotline: (+84) 934.943.273



Email: support@tmtech.vn



Website: www.tmtech.vn