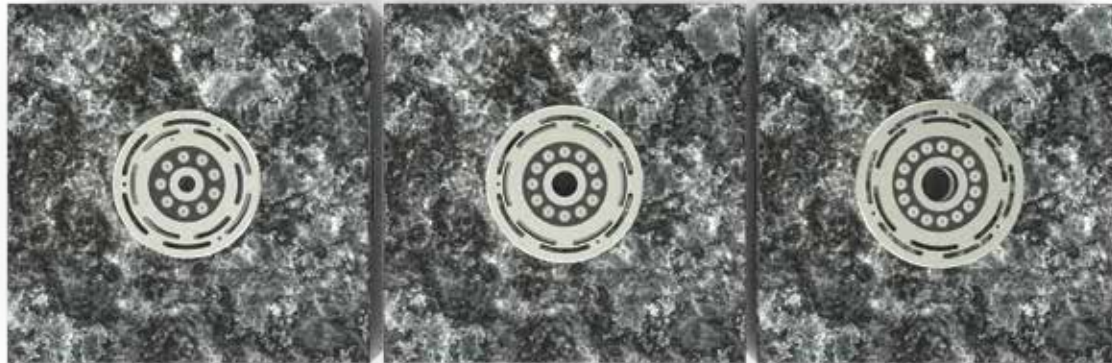




Gyros-Series LIGHT



- Series Name: Gyros9, Gyros12, Gyros15
- Dimension: Ø278, 260, 245mm x H43mm;
- Input Voltage: 24VDC
- Power consumption: Series
Luminous Flux: 3010Lm at 4000K, 34W, 36°
- Brand of LEDs: LED CREE
- Color: Warm White, Blue Roya, RGB
- Beam Angle: 5°, 10°, 15°, 24°, 36°, 45°, 60°, 90°
- Function Dimmer: PWM on Power
- Material: SS316L
- Finishing (Color housing): Stainless
- IP Class: 68
- Electrical Class: III
- Cable Length: 5 Metter

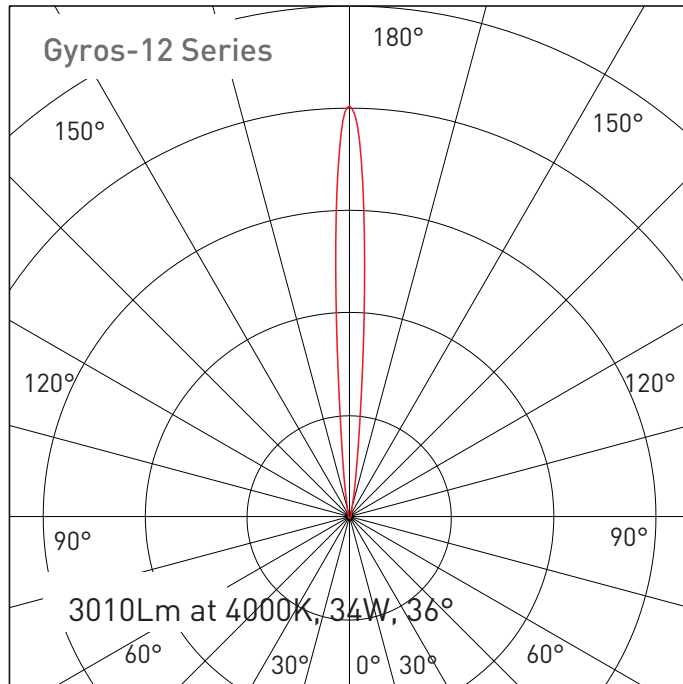
- LED lifetime: 50.000hrs
- Lens: Clear
Cellular
Sand | Material PMMA
with UV protection
- Standards:
 - +EMC protection
 - +IEC 62031 LED modules for general lighting Safety specifications
 - +IEC 60598 Luminaires – Parts 1+2: General requirements particular requirements and tests



Pending

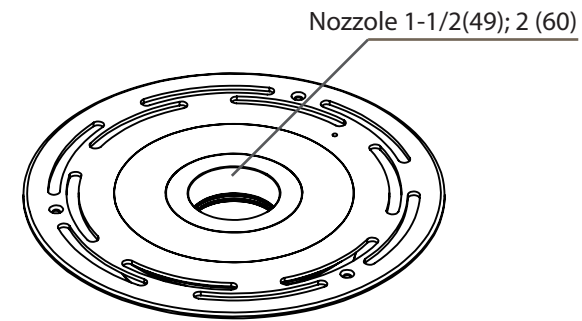
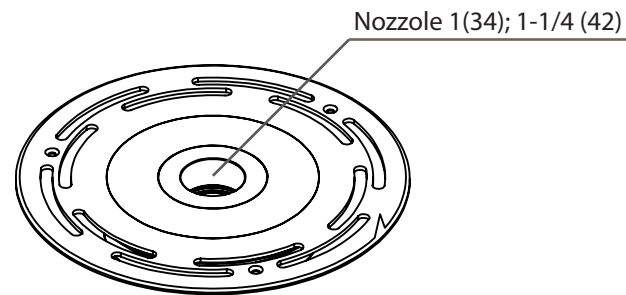
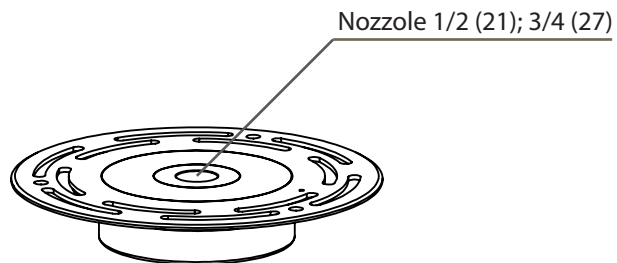
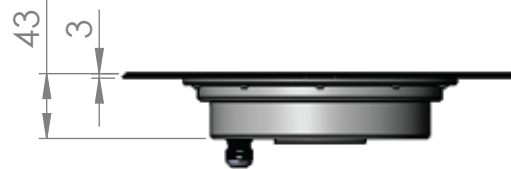
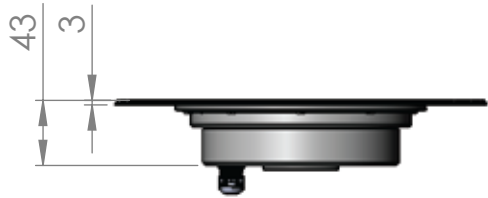
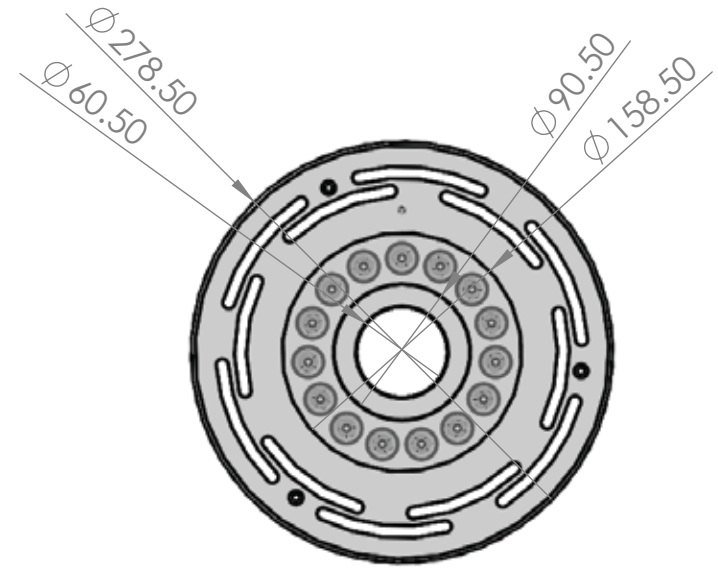
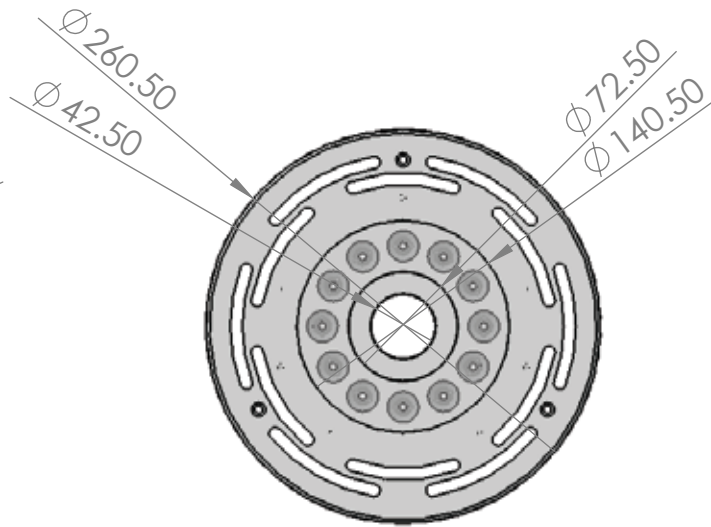
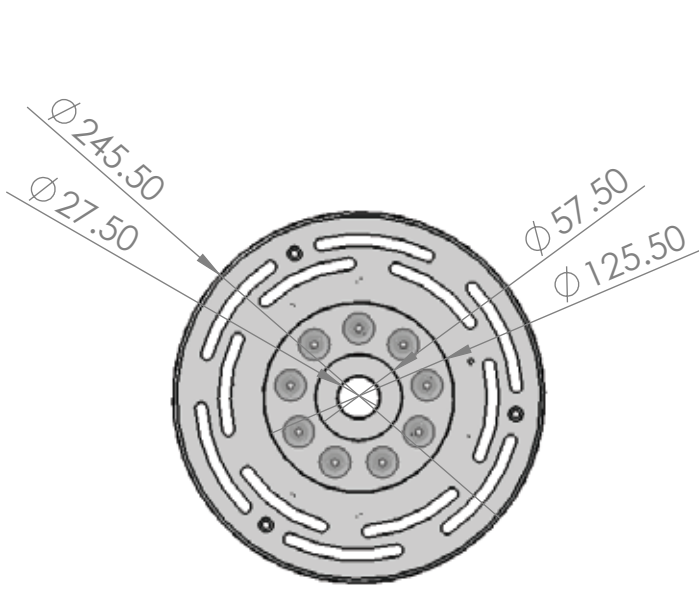
Technical tolerance: 5%

GyrosM-34S40055161



Product Description

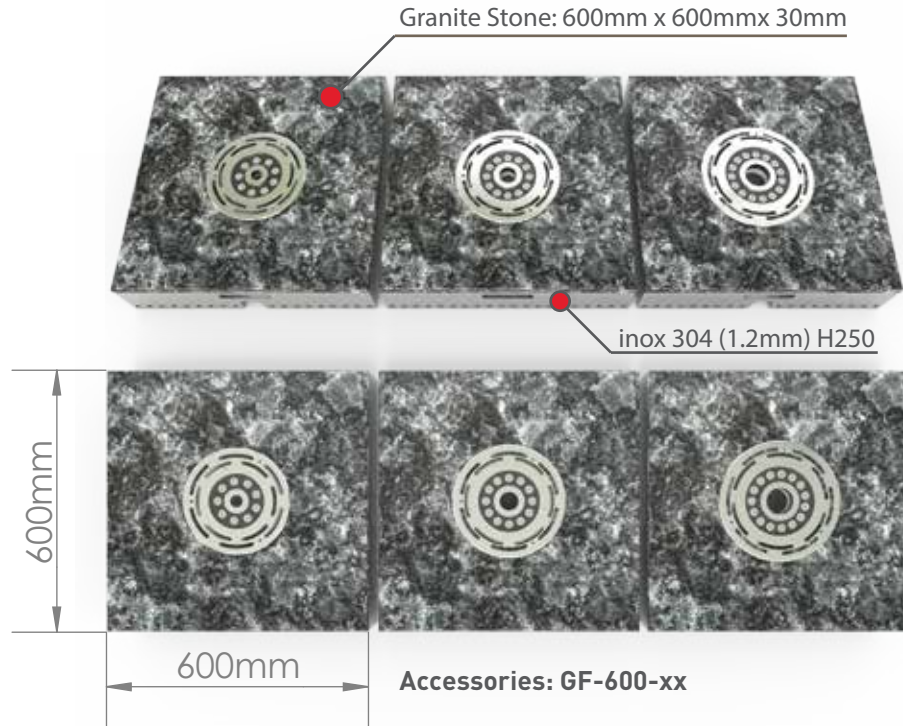
| | |
|------------------------------|---|
| Control Gear | Fairchild Technology |
| LED Module | High-power LEDs on metal-core PCB. Collimating lens made of optical polymer/pmma |
| Anti-Glare | Option |
| Electrical Protection | EMC, inrush current |
| Electrical Class | 3 |



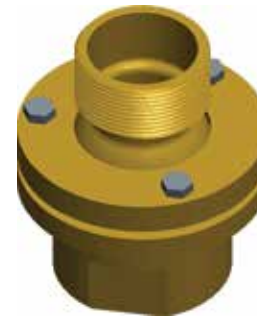
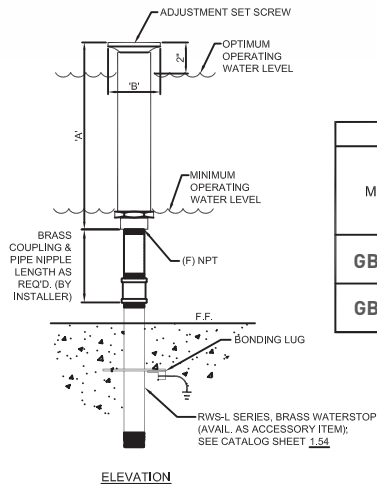
Gyros-9

Gyros-12

Gyros-15



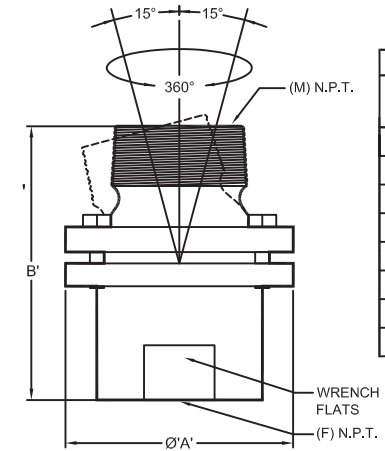
Accessories: GF-600-xx



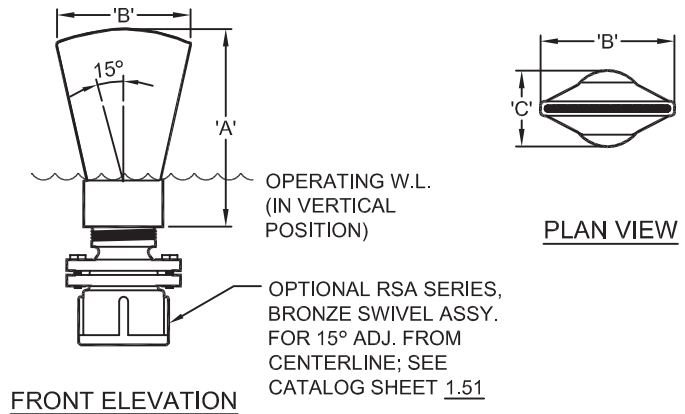
Accessories: G1-xxx



Accessories: GR-FJ10



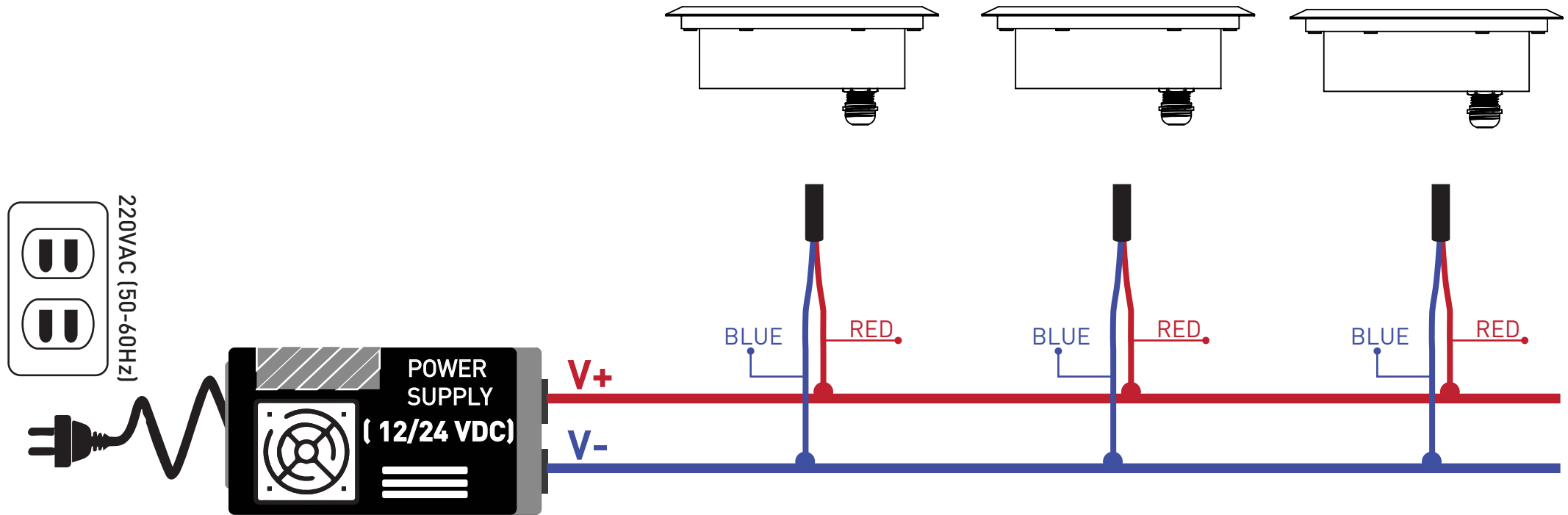
| TECHNICAL DATA | | | |
|----------------|----------------|-------|-------|
| MODEL NO. | (M x F) N.P.T. | A | B |
| G1-050 | 1/2" | 1.62" | 1.75" |
| G1-075 | 3/4" | 2.60" | 2.60" |
| G1-100 | 1" | 2.60" | 2.82" |
| G1-125 | 1 1/4" | 3.25" | 3.46" |
| G1-150 | 1 1/2" | 3.65" | 3.83" |
| G1-200 | 2" | 4.00" | 4.45" |
| G1-300 | 3" | 6.00" | 6.10" |
| G1-400 | 4" | 7.75" | 7.36" |

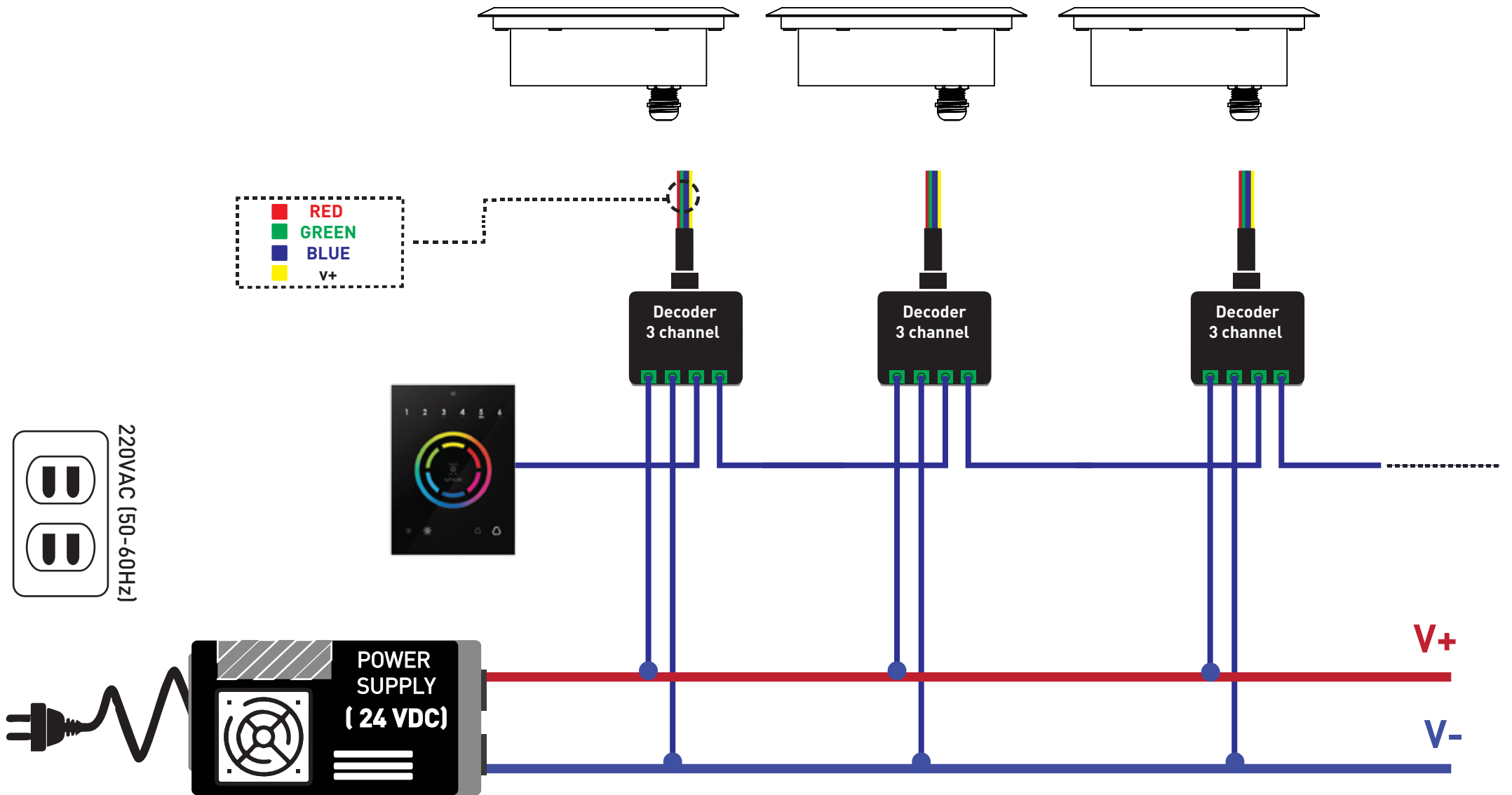


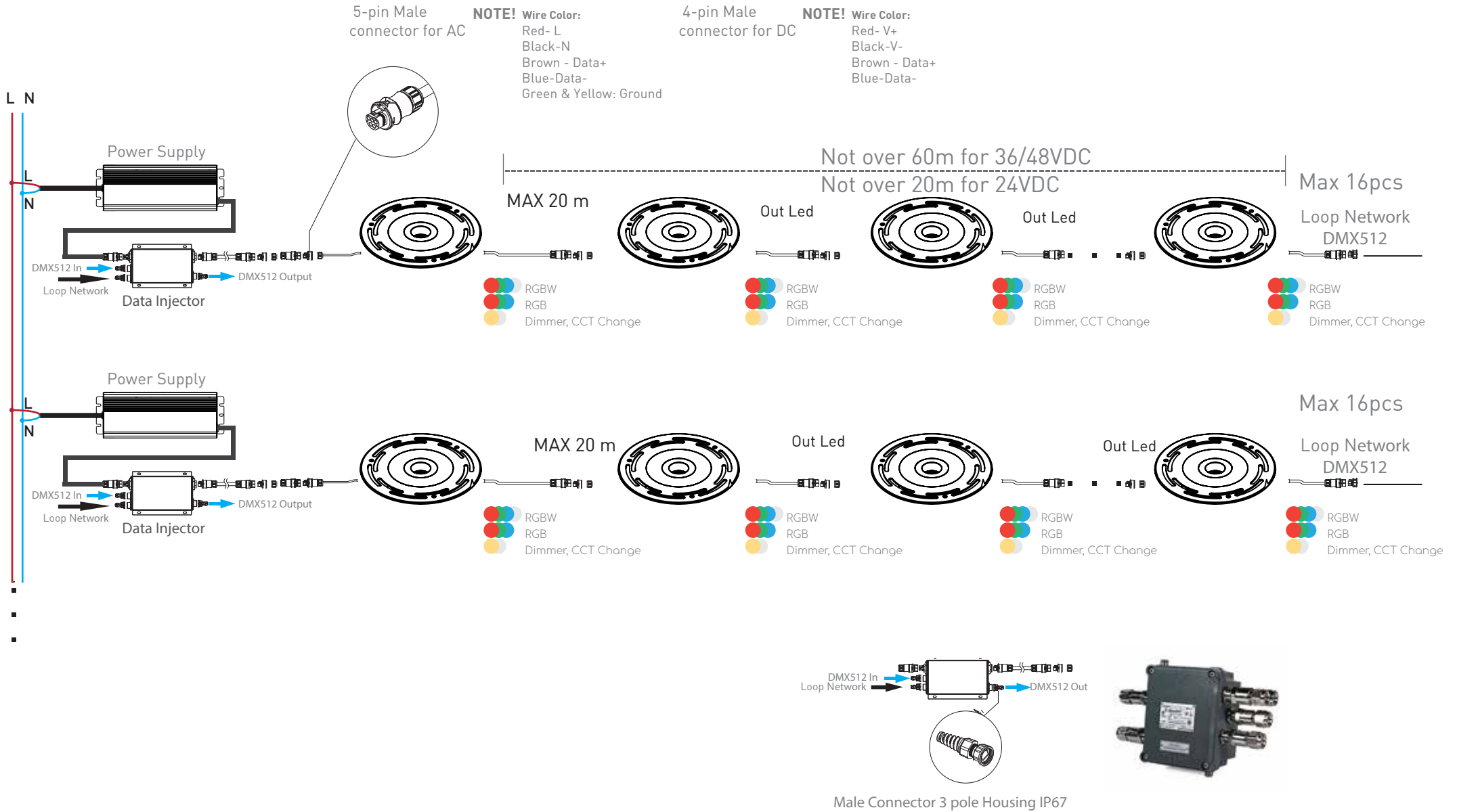
| MODEL No | TECHNICAL AND HYDRAULIC DATA | | | | | | | |
|----------|------------------------------|---------|-----------------------|----------------|-----|------|------|------|
| | DIMENSIONS | | | PERFORMANCE | | | | |
| | DIM 'A' | DIM 'B' | INLET N.P.T. (Female) | SPRAY DIAMETER | 12" | 24" | 30" | 48" |
| GBJ-512 | 12" | 1 5/8" | 1/2" | GPM | 6.0 | 9.0 | 10.0 | |
| | | | | HEAD | 3' | 5' | 6' | |
| GBJ-112 | 12" | 3 3/8" | 1" | GPM | 9.0 | 11.0 | 12.0 | 13.0 |
| | | | | HEAD | 3' | 5' | 6' | 8' |

| TECHNICAL AND HYDRAULIC DATA | | | | | | | | | |
|------------------------------|------------|----------|----------|------------|-------------------|-----|-----|-----|-----|
| MODEL NO. | DIMENSIONS | | | | PERFORMANCE @ 45° | | | | |
| | DIM. 'A' | DIM. 'B' | DIM. 'C' | (F) N.P.T. | THROW | 2' | 3' | 5' | 7' |
| | | | | | GPM | 9 | 12 | 14 | 19 |
| | 4-1/2" | 2 3/4" | 1-13/16" | 1" | HEAD | 3' | 4' | 6' | 8' |
| | | | | | SPREAD | 20" | 30" | 65" | 94" |
| | | | | | HEIGHT | 20" | 24" | 45" | 52" |





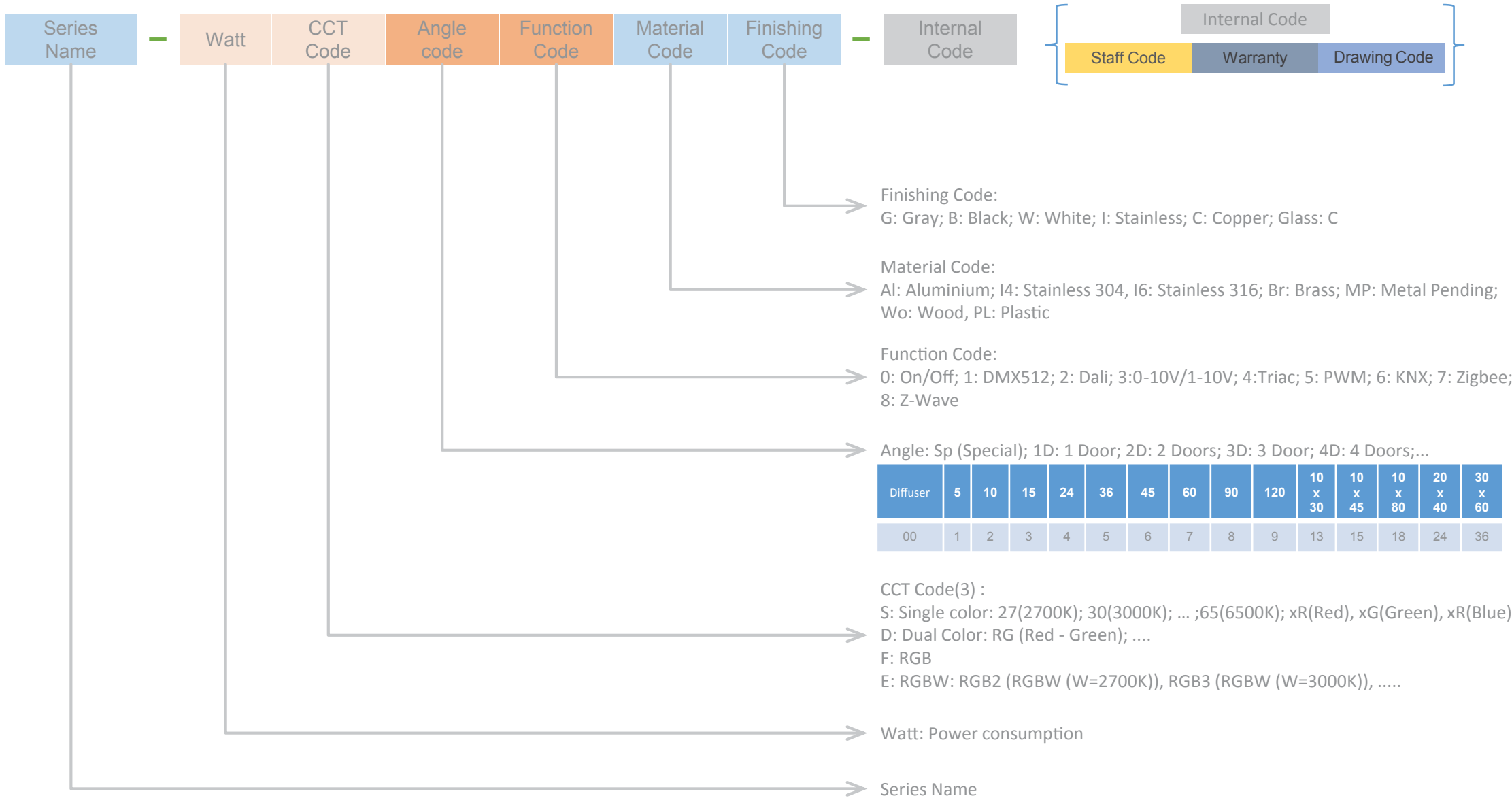








Code Product









Width : 300 mm
Height : 100 mm
Length : 300 mm
Weight: 5.4kg



//CONTACT US// TMtech Electronics Co., Ltd

**THANKS FOR YOUR
ATTENTION**

-  Add: No.28, 10 Street, Linh Trung Ward, Thu Duc District, Ho Chi Minh City.,VN
-  Tel: (+84)28.668.222.73 Hotline: (+84) 934.943.273
-  Email: support@tmtech.vn
-  Website: www.tmtech.vn