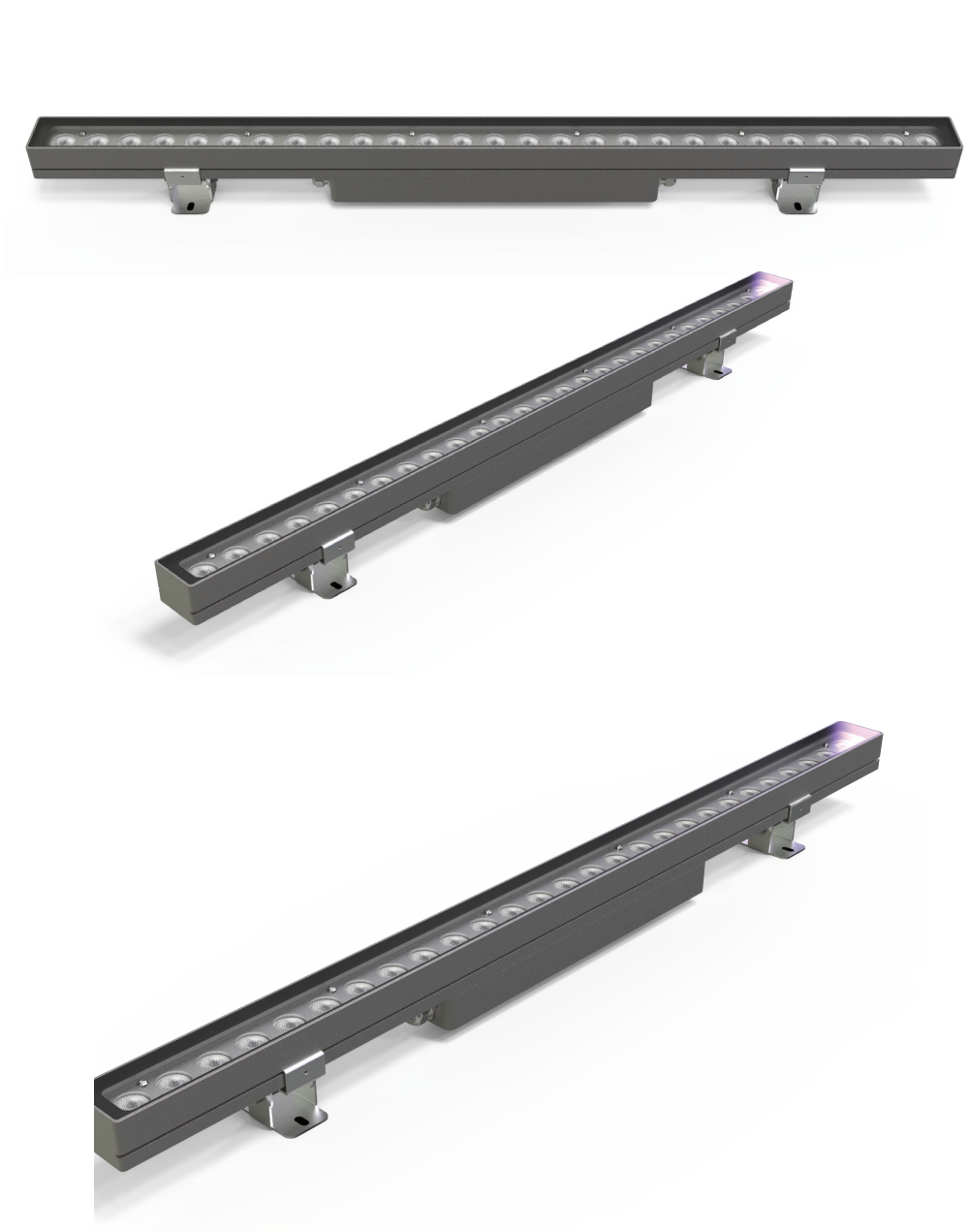




Ego-Series Linear Light



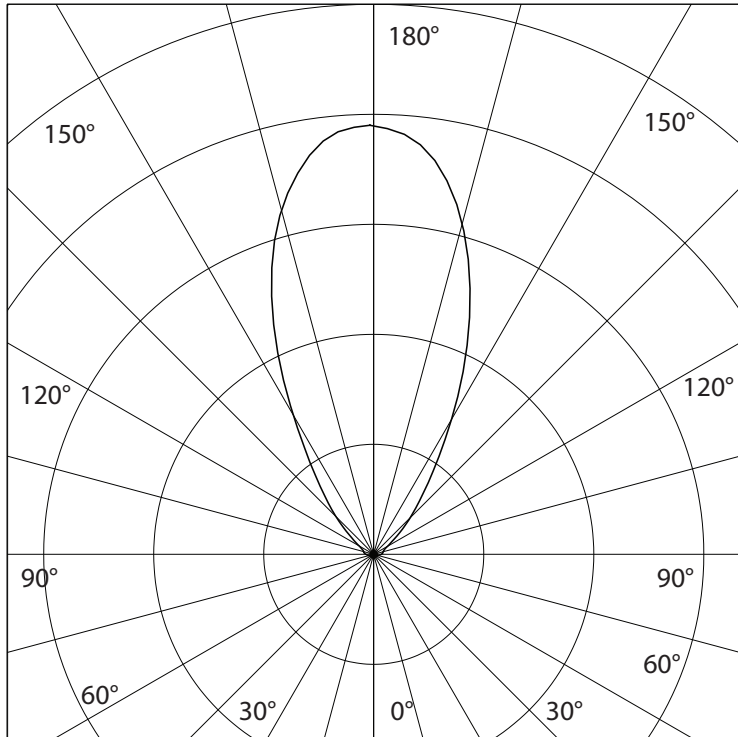
- Code Product: Ego - Series
- Dimension: L1000mm x W43mm x H67mm
- Input Voltage: 24VDC/ 36VDC/ 48VDC/ 110-240VAC (50-60Hz)
- Power consumption: (18-50)W
- Luminous Flux: 2080Lm x 3000K
- Brand of LEDs: LED CREE
- Color: Single color (2200K-6000K; RGB/RGBW)
- Beam Angle: 36°(5,10°,15° ,24° ,36° ,60° ,90°, 10x40°, 10°x90°)
- Function Dimmer: Option
- Material: Aluminium
- Finishing (Color housing): White Grey
- IP Class: 66
- Electrical Class: I with 110-240VAC (43-60Hz); III with 24/48VDC

- LED lifetime: 50.000hrs
- Lens:

Clear	Material PMMA with UV protection
Cellular	
Sand	
- Standards:
 - +EMC protection
 - +IEC 62031 LED modules for general lighting Safety specifications
 - +IEC 60598 Luminaires – Parts 1+2: General requirements particular requirements and tests



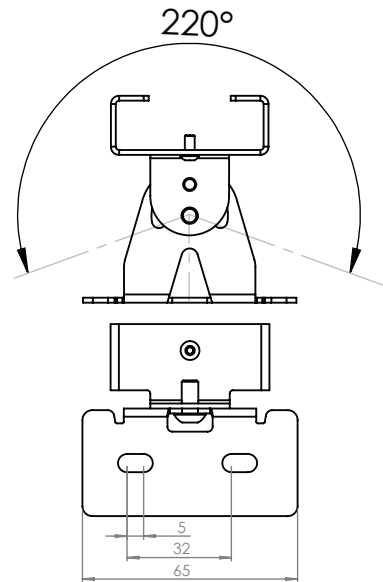
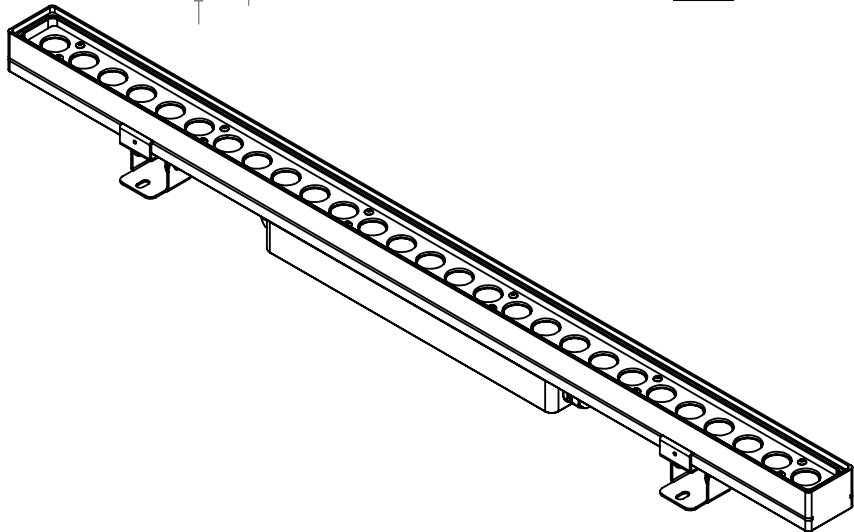
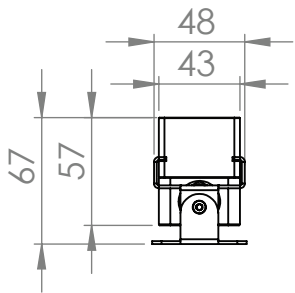
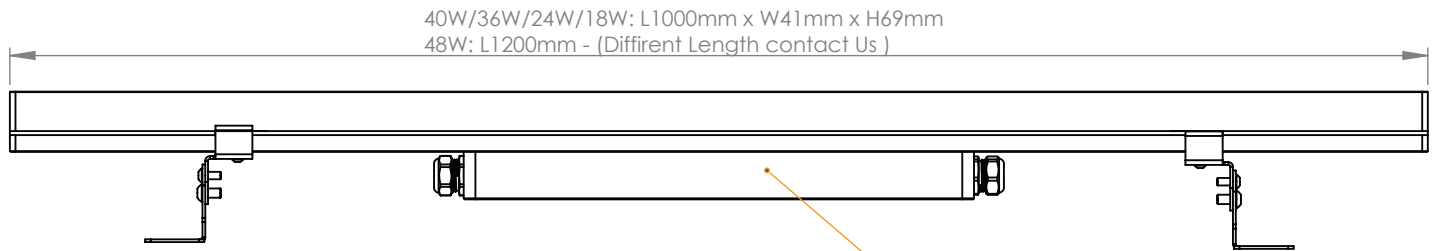
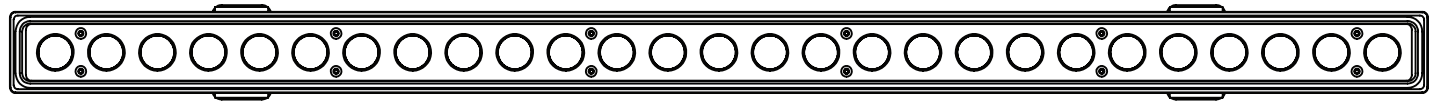
Technical tolerance: 5%



2080Lm x 2700K 36°

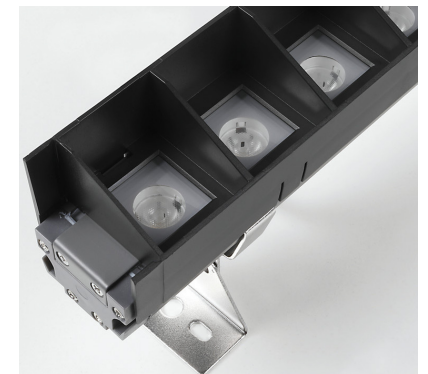
Product Description

Control Gear	Fairchild Technology
LED Module	High-power LEDs on metal-core PCB. Collimating lens made of optical polymer/pmma
Anti-Glare	Option
Electrical Protection	EMC, inrush current
Electrical Class	3

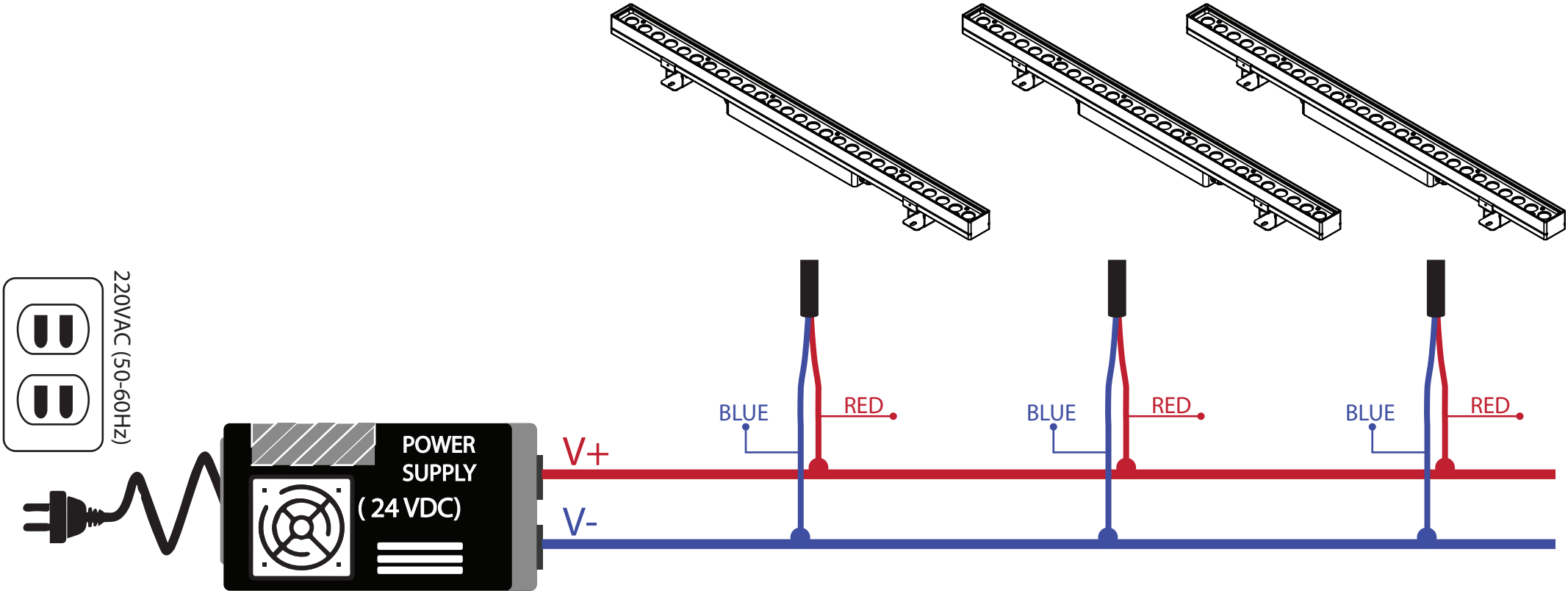


Dont use for VDC system

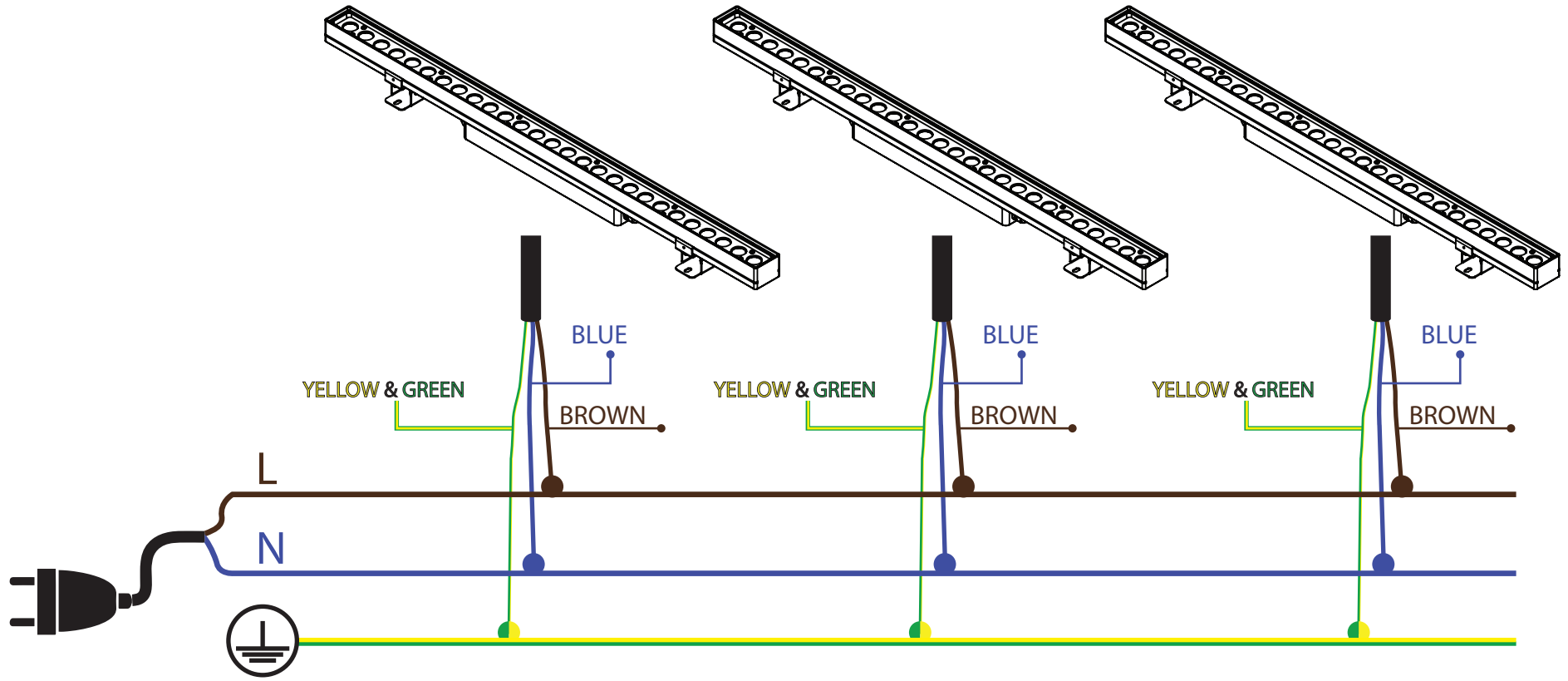
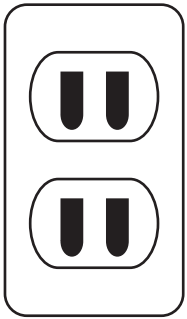
Stainless: Inox 316
Thickness: 1.5mm

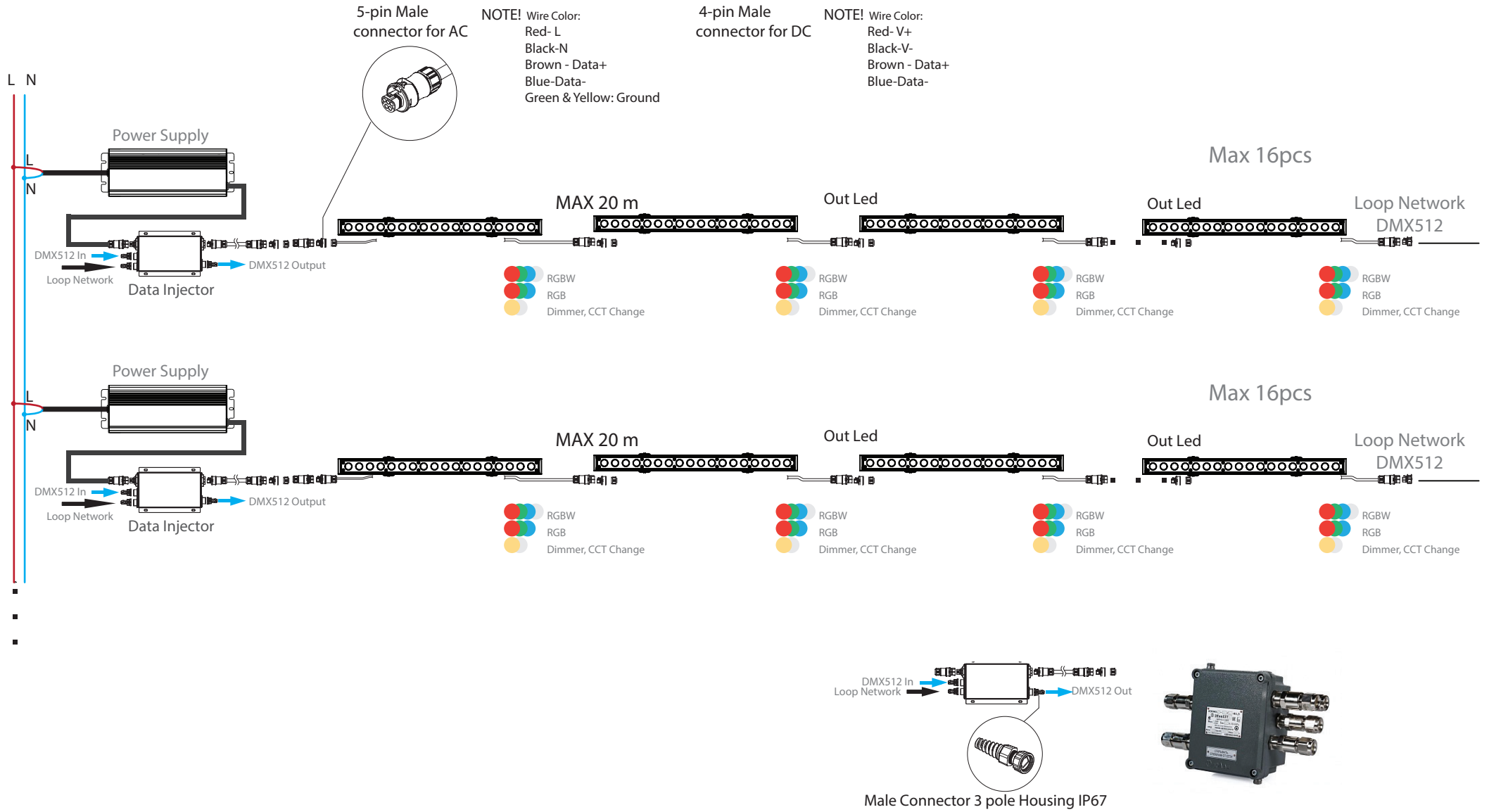


With anti glare reflector

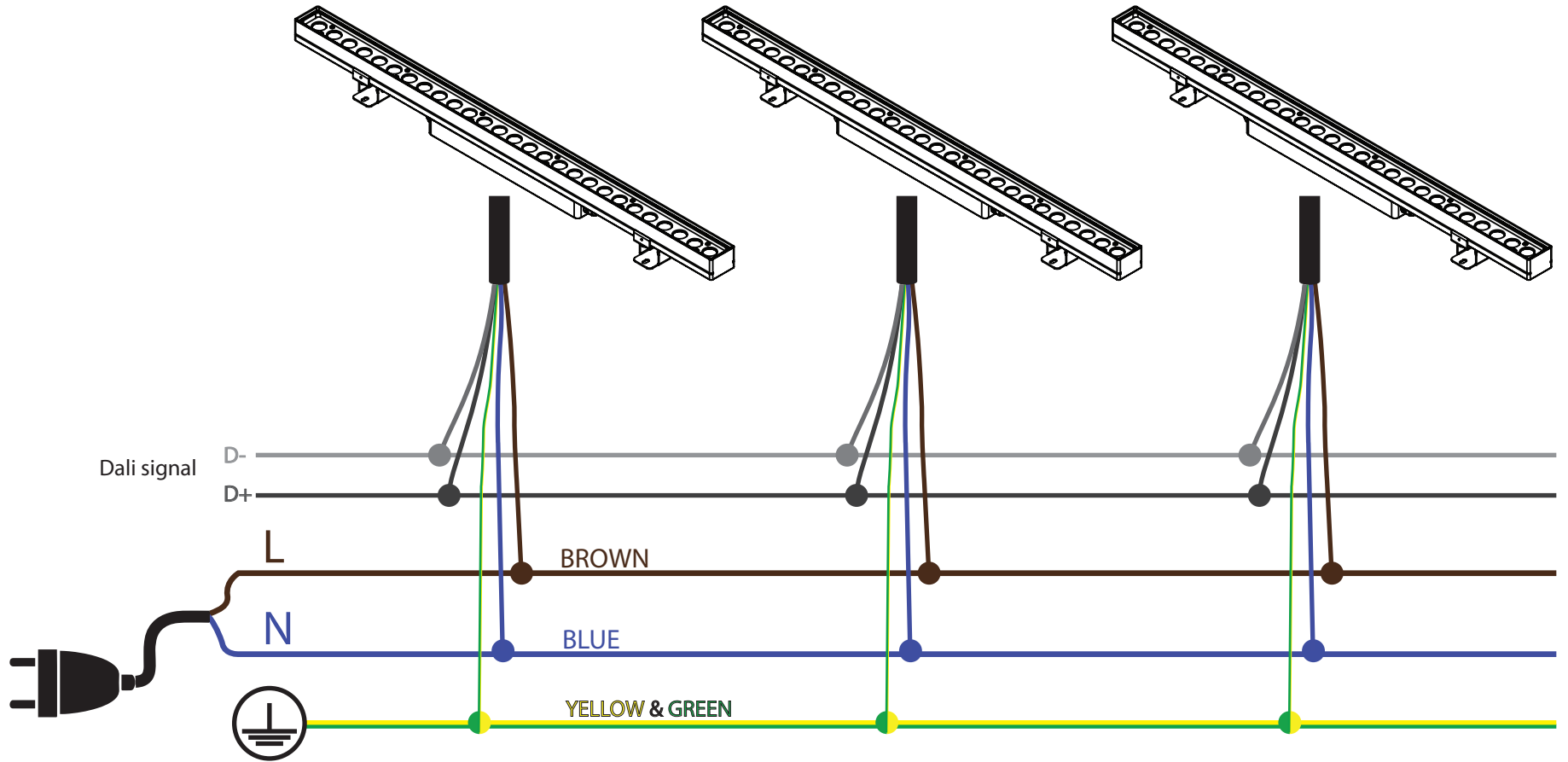
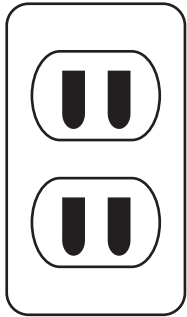


220VAC (50-60HZ)

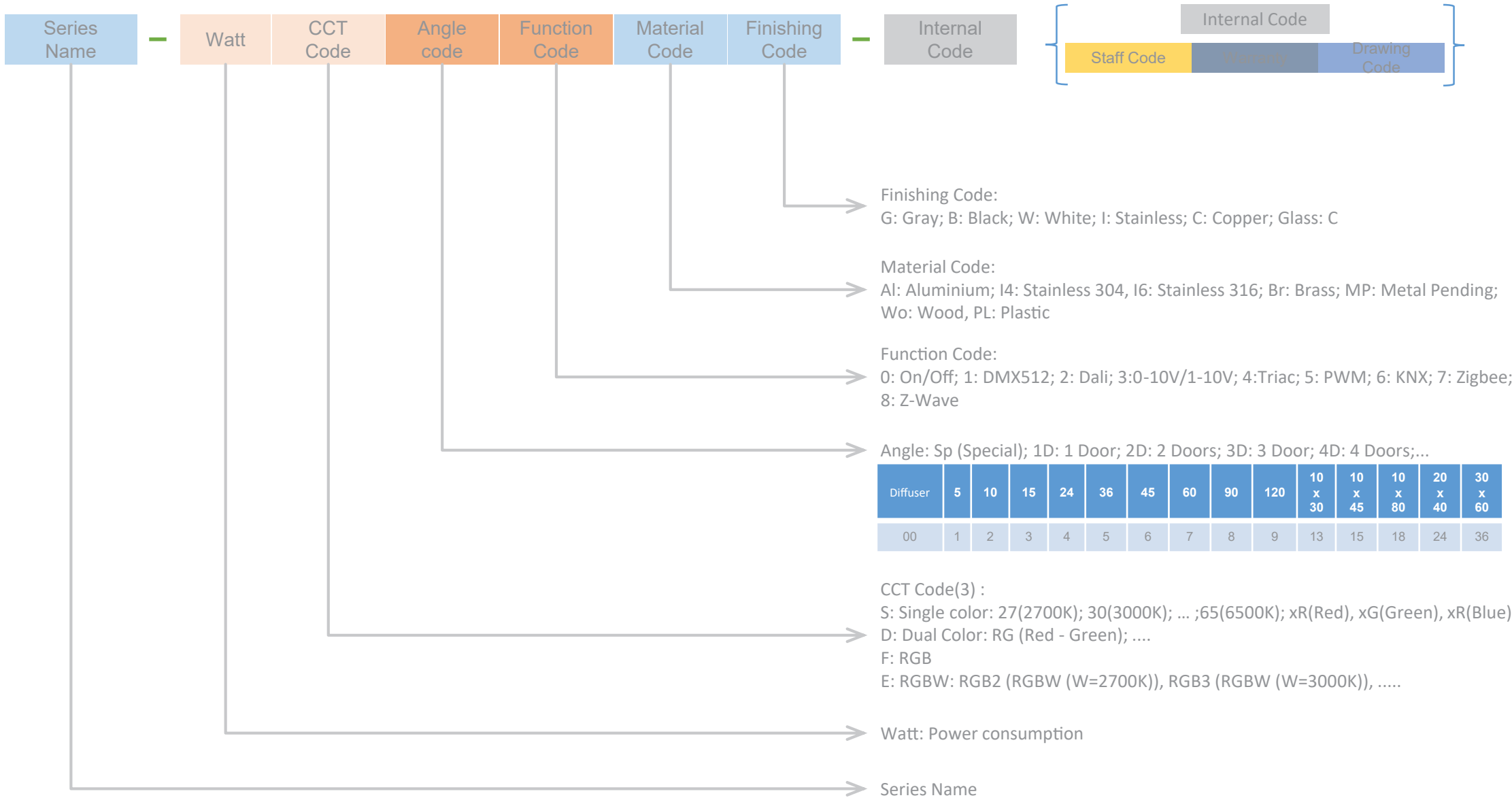




220VAC (50-60HZ)



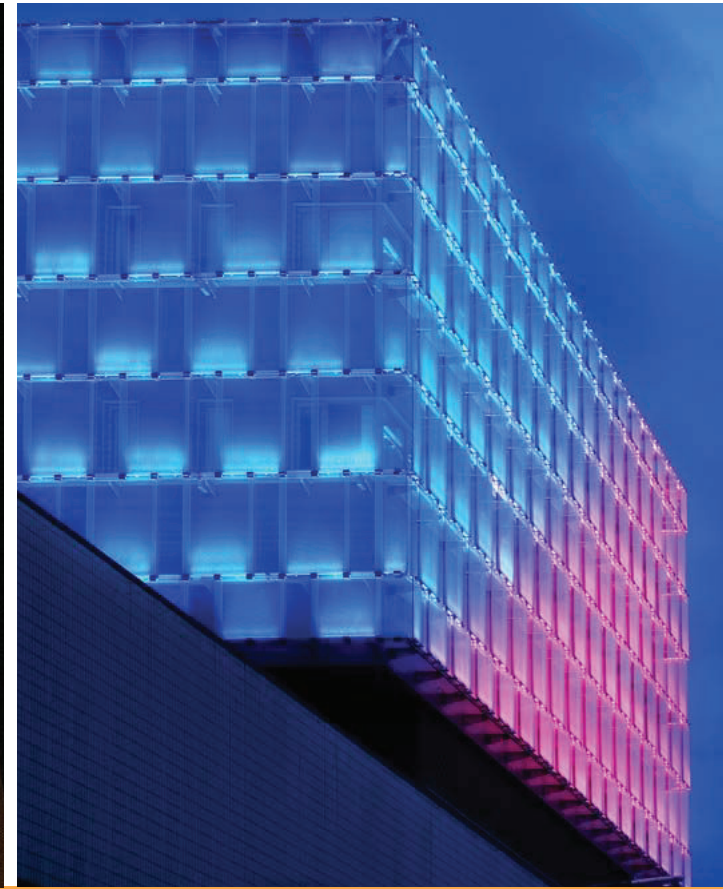




Diffuser	5	10	15	24	36	45	60	90	120	10 x 30	10 x 45	10 x 80	20 x 40	30 x 60	
	00	1	2	3	4	5	6	7	8	9	13	15	18	24	36



Width : 80 mm
Height : 100 mm
Length : Series



THANKS FOR YOUR
ATTENTION

//CONTACT US// TMtech Electronics Co., Ltd



Add: No.28, 10 Street, Linh Trung Ward, Thu Duc District, Ho Chi Minh City.,VN



Tel: (+84) 28.6283.7009

Hotline: (+84) 934.943.273



Email: support@tmtech.vn



Website: www.tmtech.vn